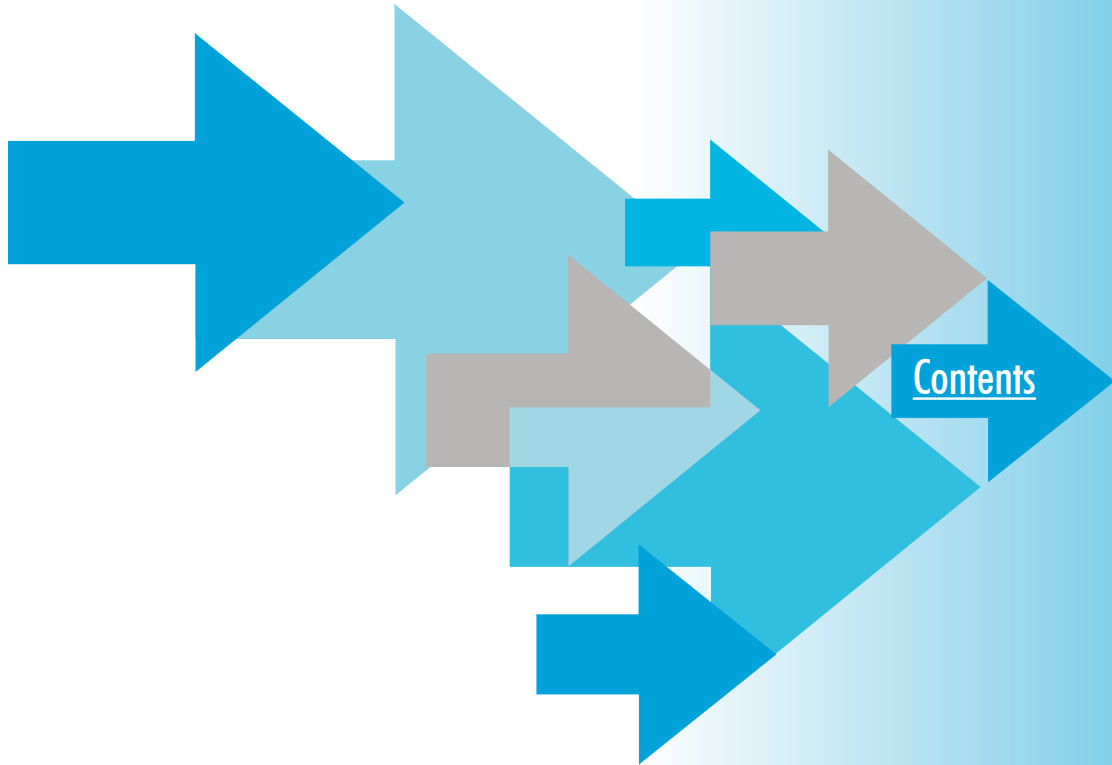


TOTAL PRODUCT RANGE

PLANT FOR PRESSURE BLASTING, TREATMENT,
DUST REMOVAL AND COATING



KIESS GmbH & Co. KG
Wiehagen 25 · D-45472 Mülheim / Ruhr
Phone ++49 208 / 49 58-0 · Telefax ++49 208 / 49 58-150
e-mail: info@kiess.de · www.kiess.de

Sale of our products is subject entirely to our General Terms and Conditions in its updated form. We will gladly supply you with a copy on request.

Advice on using our Catalogue

Click on:

 to go to the next page

 to go to the previous page

[Back](#) to go to the page last visited

[Contents](#) to go to the contents

[Blasting Suit](#) or [45](#) to go to the applicable page

 to Parts List to see the Parts List of the applicable drawing

 to Drawing to see the Drawing of the applicable Parts List

Description:	Page:
● Tips on navigation, contact us	1
● Contents	2
● Blasting equipment for light blasting work /ISK 40	3 - 4
● Taifun pressure blasting pot	5
Taifun 28	6 - 7
Taifun 200, DV-80	8 - 9
Taifun 200, ADV-80	10 - 11
Taifun 300/2	12 - 14
● Large blasting pot Taifun 8000	15 - 16
● Air inlet valve DVL 1 ½"	17
● Rapid shut-down	18 - 21
● Pneumatic remote control	22 - 25
● Electro-pneumatic remote control	26 - 29
● Abrasive volume regulating valve	
DV-80	30
ADV-80	31
● Pipe interior blasting unit	
Tornado Junior	32 - 33
Tornado	34 - 35
● Dust-free blasting units	
HK-S/4	36 - 37
Educt-O-Matic	38 - 39
● Blasting nozzle	40 - 41
● Connectors, seals, jet holders, screws, split pins	42
● Hoses	43
● Special spiral stretch hoses	44
● Safety Equipment	
Blasting suits	45
Blasting lamps, gloves, transformers	46
Blasting hoods	47
Blasting helmets	48 - 50
Paint-spraying masks	51
Active carbon filter	52
● Instruments and Fittings / Compressed air accessories	53 - 58
● Vacuum cleaner accessories	59
● Fans and dust bags	60
● Air compressor	61
● Paint sprayers	
WIWA Magnum	62
Airless accessories	63
● Paint mixers	64

_____ **Blasting Equipment for Light Blasting Work** ■ ■ ■

Description

Injector blasting tank ISK
Capacity: 40 litres
Pressure: 6 bar

Art. No.:
60005

Supplied as:

Blasting medium pot complete with
4 m. air and blasting hose; excluding blast nozzle



Blasting nozzle as required with 3/4" external thread (Hard metal nozzle in aluminium jacket)	
Art. no.	
4.8 x 45 mm	610102
6.3 x 45 mm	610069
6.3 x 75 mm	610076
8.0 x 45 mm	610070
8.0 x 75 mm	610071
8.0 x 100 mm	610103
9.5 x 75 mm	610104
9.5 x 100 mm	610073
1 air jet 1/4" ext. thread 2 mm	610124
1 do. 3 mm	610133
1 do. 4 mm	610125
The blasting nozzle should be selected according to the air nozzle size:	
Blasting nozzlelet	Air nozzle
4.8 x 45	2 mm
6.3 x 45	3 mm
6.3 x 75	3 mm
8.0 x 45	4 mm
8.0 x 75	4 mm
8.0 x 100	4 mm
9.5 x 75	4 mm
9.5 x 100	4 mm

Parts List for Injector Blasting Pot ISK 40

Description	Art. No.
ISK 40 comp. without blasting and air nozzle	60005
1 pot 40 l.	600209
2 wheels PVR 100 (I)	680050
2 U-washers 12 mm DIN 440	681375
1 pipe elbow 1 1/2"	680308
1 reduction fitting 1 1/2 x 3/8	800456
1 reduction fitting 3/8 x 1/4	800455
2 hose spouts 1/4" nom. value 13 mm	610128
4 m. hose 10 x 3 PVC	620017
4 m. hose 13 x 3 PVC	620018
2 hose clips	800600
2 hose clips	800091
20 cable binders 140 x 3.6	10270
1 pistol housing	610122
1 pistol grip	610123
1 grip for wagon	12034
3 wing nuts M8 x 20	680850
1 claw connector KAG 38	800053
1 water separator 3/8"	800217
1 double nipple 3/8"	800447
1 pressure reduction fitting 3/8"	800238
1 connector with external thread 3/8"	800375
1 push-on spout int. dia. 9 mm	800384
4 nuts M4	681360
4 U-washers 4.3 mm	681370
2 spring washers 4 mm	681380
Pistol complete without handle	16331
Pistol complete with handle	21249

TAIFUN Pressure Blasting Pot ■ ■ ■

Standard colour Kiess blue (RAL 5012)

Air inlet with special thread N750S or claw connector 1 1/4" as required

Pot Type	Taifun 28	100	140	200	300	300/2
Capacity (l)	28	100	140	200	300	2 x 150
Wt. of abrasive – slag approx. (hg)	40	150	210	300	450	450
Steel shot approx. Operating pressure (bar)	120 12	450 12	630 12	900 12	1350 12	1350 12
No. of chambers	1	1	1	1	1	2
Includes:	Art. No.:					
DV-SM with pneumatic remote control Mini DF	60010					
DV 80 with pneumatic remote control DF 2/1 K	60012	60110	60150	60210	60310	
DV 80 with electro-pneumatic remote control ES-1	60012	60111	60151	60211	60311	
ADV 80 with electro-pneumatic remote control EDF-1	60011	60112	60152	60212	60312	
2 x ADV 80 with electro-pneumatic remote contr. EDF-2						60351
Sieve	610062	610061	610060	610059	610059	610059
Cover	610108	610063	610064	610063	610063	610063



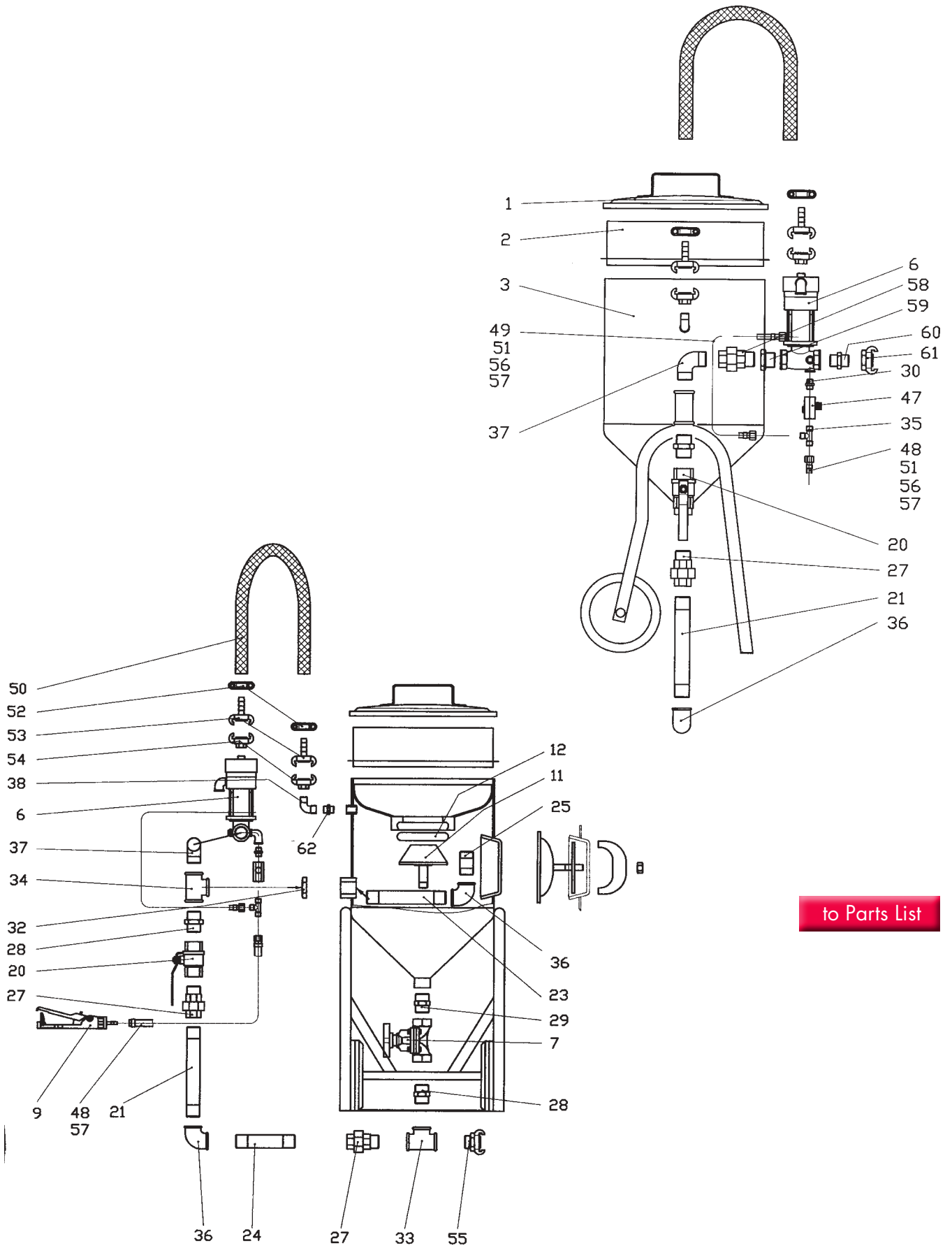
Taifun 200 with auxiliary equipment

German Federal Regulation BGV D26 requires a max. shut-down time of one second. For this reason we recommend using the following unit:

Rapid shut-down unit EDFS
see page 18
Art. No. 10995

Spare Parts for Pressure Blasting Tank **KIESS**

Taifun 28 SM



Spare Parts for Pressure Blasting Pot KIESS

Spare Parts List TAIFUN 28 complete with SM ■ ■ ■

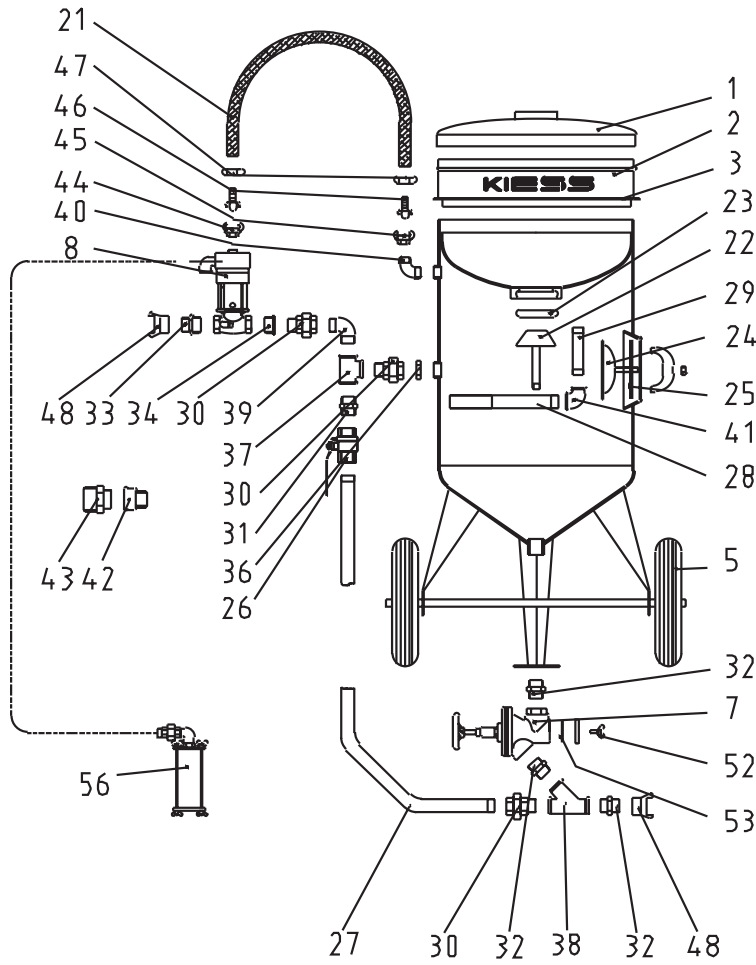
Pos. No.	Description	Art. No.
1	cover	610108
2	sieve assembly	610062
5	wheel	680370
6	remote control valve Mini DF	610000
7	membrane valve SM	610111
9	remote control lever DF-S assy.	610137
11*	conical stopper with shaft	680006
12*	stopper gasket	680007
13	hand hole cover	680008
14	hand hole gasket	680009
20	ball-cock	680359
21	pipe double nipple	680363
23	pipe double nipple	680636
24	pipe double nipple	680015
25	pipe double nipple	680635
27	screw fitting	680365
28	double nipple	680367
29*	double nipple steel	680707
30	double nipple	800446
32	nut	680364
33	T-piece, wrought iron	680618
34	T-piece	680366
35	T-piece	800464
36	angle piece	680362
37	angle piece	680004
38*	angle piece	680357
47	choke return valve	680166
48	air hose	620009
49	air hose length 0.4 m	620009
50	spiral hose	620001
51	top nut	800473
52	hose clip	800075
53*	claw hose connector	800034
54*	claw internal thread connector	800043
55	connector	800055
56	hose nozzle	800485
57	hose holder	800600
58	connector MK 1"	610139
59	nozzle holder 3/4"	610138
60	screwed connection	680038
61	reducing nipple	680679
62	reducing double nipple	680391
63	KIG 54	800048
64	double nipple 3/8"	680611

* recommendation for stocking up

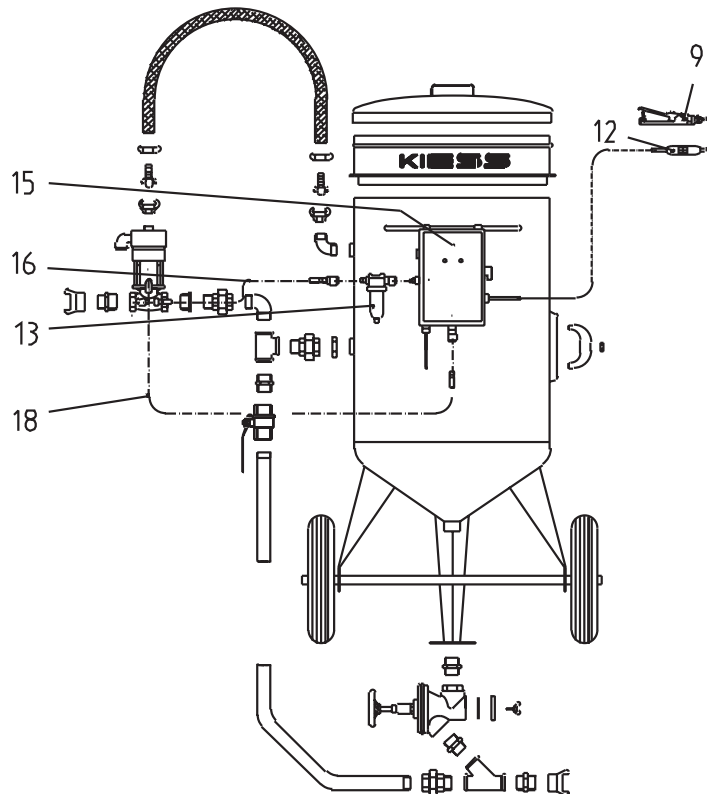
to Drawing

Spare Parts for Blasting Tank **KIESS**

Taifun 200 with DV 80



to Parts List



Spare Parts for Blasting Tank **KIESS**

Taifun 200 with DV 80



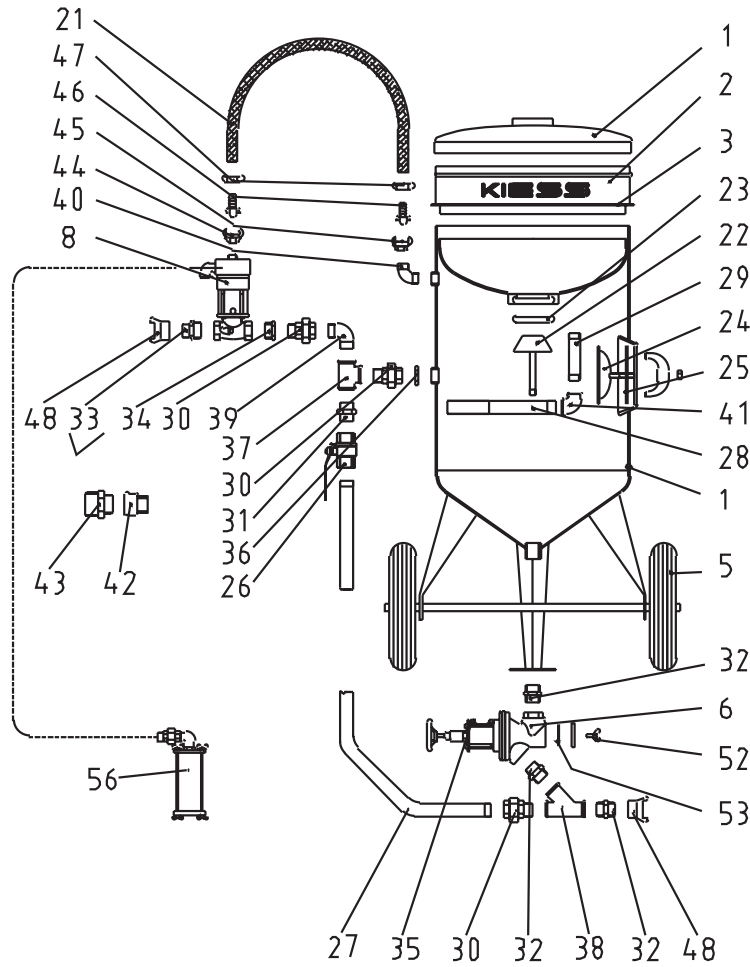
Pos. No.	Description	Article No.
1	cover	610063
2	sieve housing	610059
3	sieve insert	680439
5	wheel	680048
7	portioning valve DV 80	610166
8	remote control valve DF-2/1K	610126
9	remote operating lever EDF-S assy.	680822
12	control cable black, length 20 m	680127
12	control cable black, length 50 m	680130
12	control cable black, length 100 m	680131
13	filter	800217
15	switch box ES-1	610163
16	air hose assy., length 0.9 m	620200
18	air hose assy., length 1.4 m	620202
21	blasting pipe 19 x 7	620000
22*	conical stopper with shaft	680006
23*	stopper gasket	680007
24	hand hole cover	680008
25	hand hole gasket	680009
26	ball cock	680011
27	pipe elbow	680589
28	long pipe nipple	680018
29	pipe double nipple	680015
30	screw fitting	680038
31	double nipple	680028
32*	double nipple rubberised	680040
33	reduction double nipple	680391
34	reduction fitting	680679
36	locking nut	680020
37	fitting, T-profile	680619
38*	fitting, Y-profile, rubberised	680044
39	elbow 90°	680504
40*	elbow 90°	680004
41	elbow 90°	680016
42	reduction sleeve	680559
43	special thread nipple	800115
44*	claw – internal thread connector	800045
45*	claw – internal thread connector	800046
46	claw – hose connector	800036
47	hose clip	800076
48*	connector HKT/F	610007
52	wing nut	680850
53	gasket	680851
56	silencer assy. (extra)	610049

* recommendation for stocking up

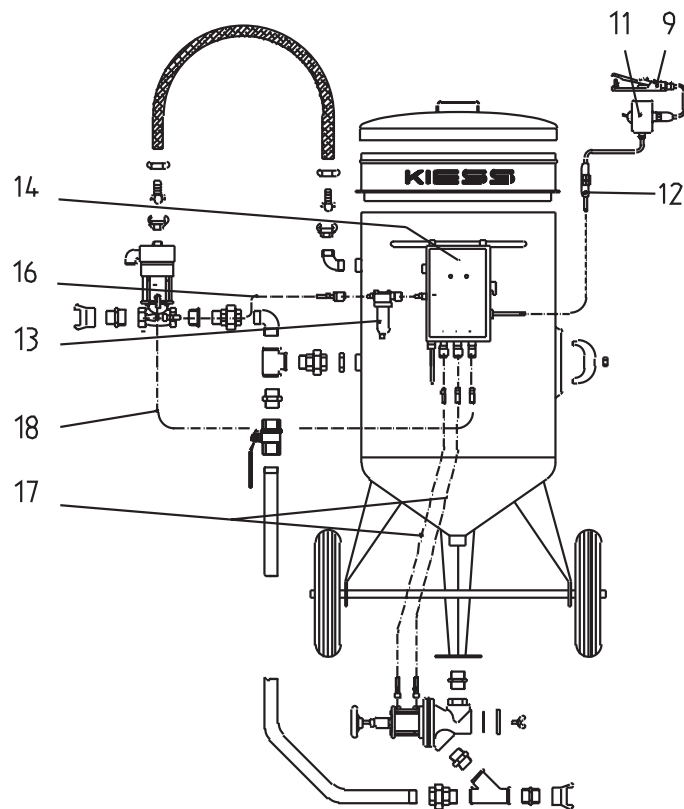
to Drawing

Spare Parts for Blasting Tank **KIESS**

Taifun 200 with ADV 80



to Parts List



Spare Parts for Pressure Blasting Tank **KIESS**

— Spare Parts List TAIFUN 200 Assembly with ADV 80

Pos. No.	Description	Art. No.
1	Cover	610063
2	sieve assy.	610059
3	sieve insert	680439
5	wheel	680048
6	portioning valve ADV-80	610165
8	remote control valve DF-2/1k	610126
9	remote control lever EDF-S assy.	680822
11	comp. air blasting medium switch	610113
12	control cable black, length 20 m	680127
12	control cable black, length 50 m	680130
12	control cable black, length 100 m	680131
13	filter	800217
14	switch box EDF – 1	610140
16	air hose assy., length 0.9 m	620200
17	air hose assy., length 1.0 m	620201
18	air hose assy., length 1.4 m	620202
21	blasting hose 19 x 7	620000
22*	conical stopper with shaft	680006
23*	stopper gasket	680007
24	hand hole cover	680008
25	gasket for hand hole	680009
26	ball cock	680011
27	pipe elbow	680589
28	long pipe nipple	680018
29	pipe double nipple	680015
30	screw fitting	680038
31	double nipple	680028
32*	double nipple rubberised	680040
33	reduction double nipple	680391
34	reduction nipple	680679
35	reduction double nipple	800449
36	locking nut	680020
37	fitting, T-profile	680619
38*	fitting, Y-profile, rubberised	680044
39	elbow 90°	680504
40*	elbow 90°	680004
41	elbow 90°	680016
42	reduction sleeve	680559
43	special thread nipple	800115
44*	claw internal thread connector	800045
45*	claw internal thread connector	800046
46	claw hose connector	800036
47	hose clip	800076
48*	connector HTK/F	610007
52	wing nut	680850
53	gasket	680851
56	silencer assy. (extra)	610049

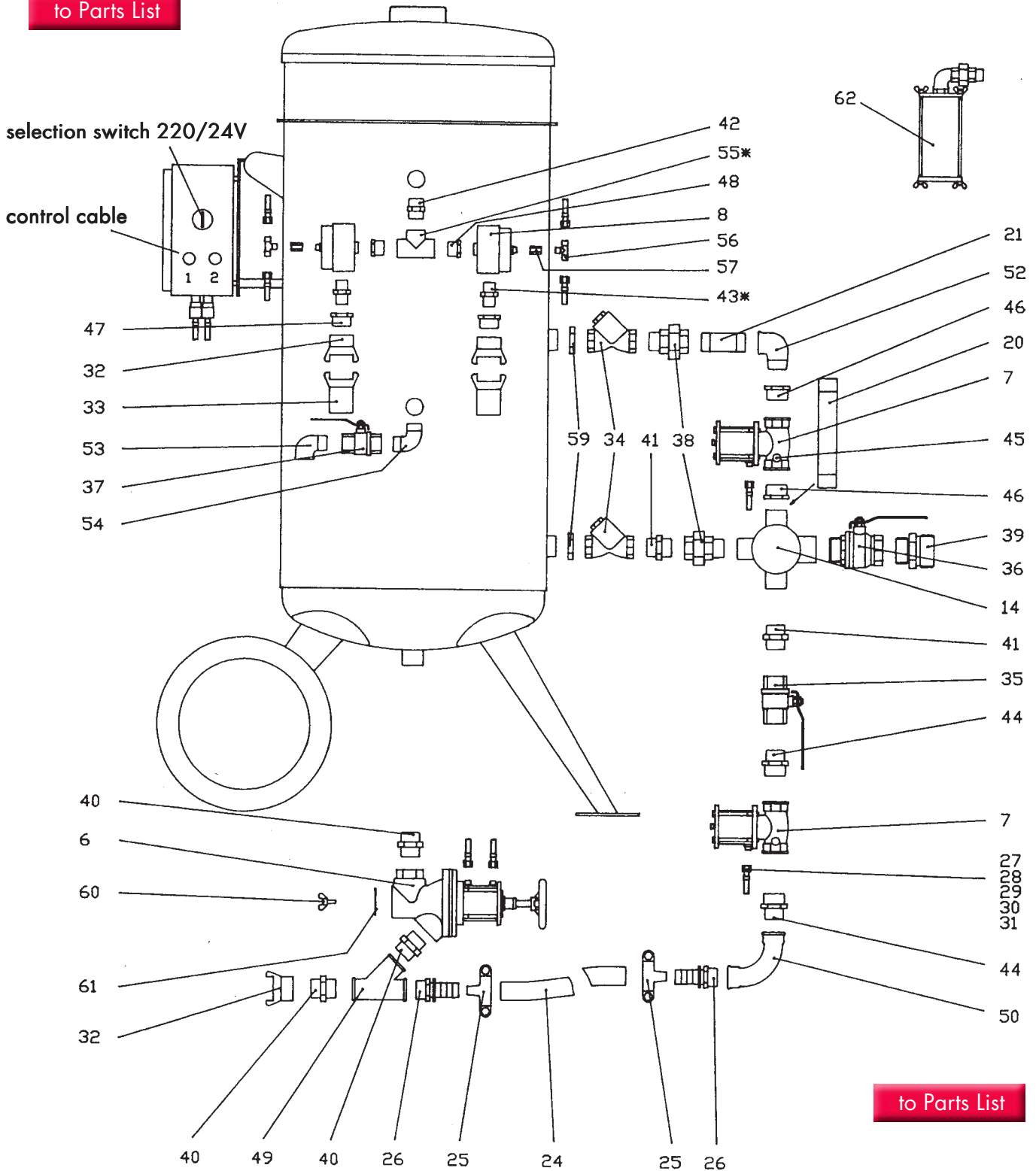
to Drawing

Spare Parts for Pressure Blasting Tank **KIESS**

Taifun 300/2 with 2 x ADV 80

silencer
extra
for fitting to part 43

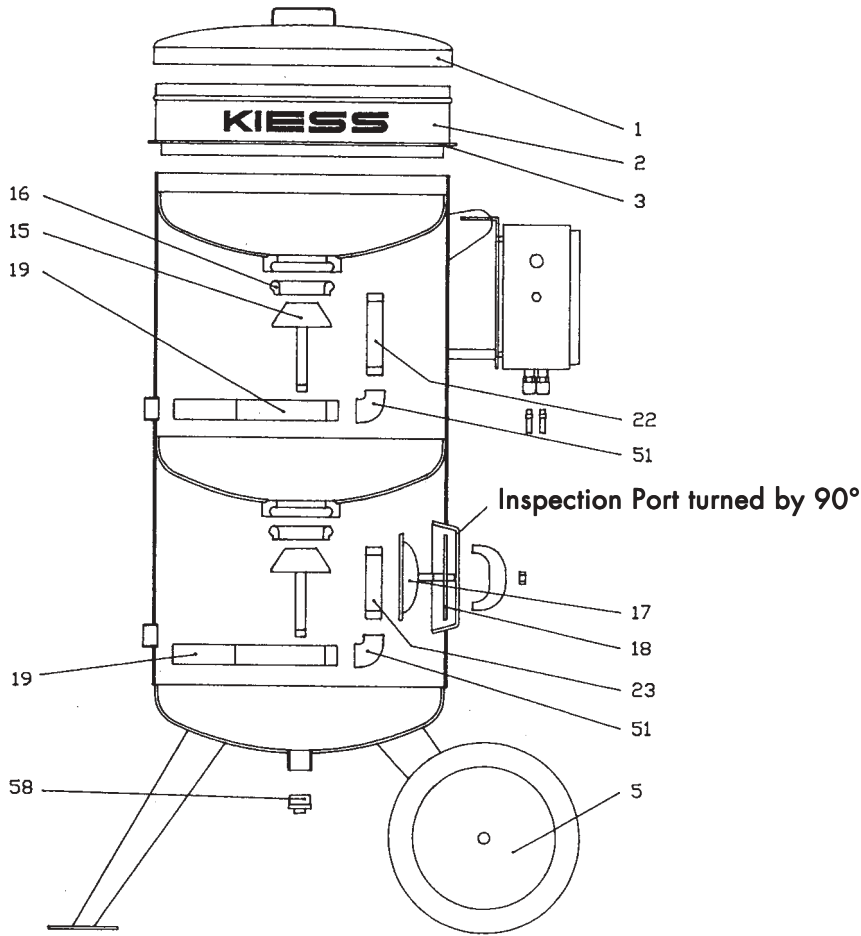
to Parts List



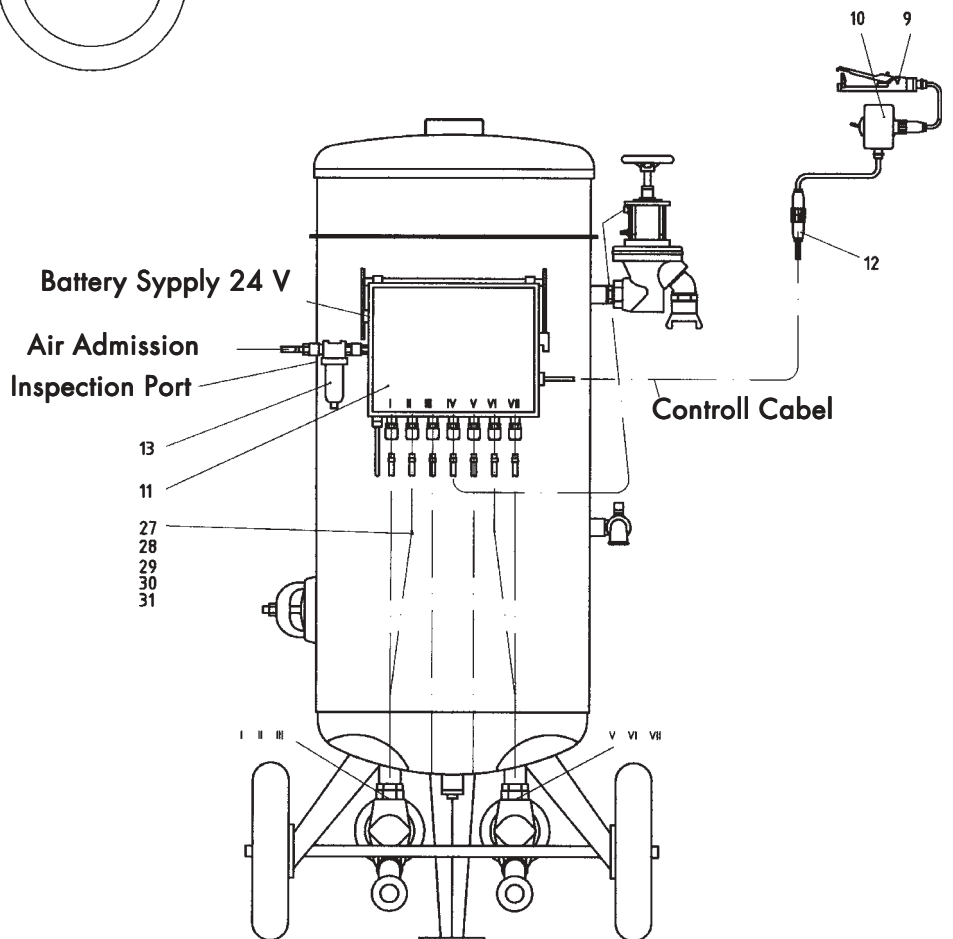
to Parts List

Spare Parts for Pressure Blasting Tank **KIESS**

Taifun 300/2 with 2 x ADV 80 ■■■



to Parts List



Spare Parts for Pressure Blasting Tank KIESS

Taifun 300/2 with 2 x ADV 80



to Drawing

Pos. No.	Description	Art. No.	Pos. No.	Description	Art. No.
1	cover	610063	31	top nut	800473
2	sieve assy.	610059	32*	screw fitting HKT-F assy	610007
3	sieve insert	680439	33	hose connector	610004
5	wheel	680048	34	dirt collector	680451
6	portioning valve ADV-80	610165	35	ball cock	680011
7	air intake valve DVL 1½"	610068	36	ball cock	680380
8	bleed valve DF – 1/1K	610067	37	bleed tap	680359
9	remote control lever EDF-S assy.	680822	38	screw fitting	680038
10	comp. air blasting medium switch	610113	39	double nipple, special thread	800115
11	EDF-2 230/24V fully automatic	610143	40*	double nipple, rubberised	680040
11	EDF-2 230/24V fully automatic	610161	41	double nipple	680028
11	EDF-2 230/24V fully automatic	610140	42	double nipple	680707
12	Control cable black, length 20m	680127	43	choke double nipple	680378
12	Control cable black, length 50m	680130	44	double nipple	680391
12	Control cable black, length 100 m	680131	45	double nipple	800446
13	filter	800217	46	reduction nipple	680679
14	air distributor		47	reduction nipple	680676
15*	conical stopper with shaft	680006	48	reduction nipple	680674
16*	stopper gasket	680017	49*	fitting Y-format, rubberised	680044
17	hand hole cover	680008	50	elbow	680514
18	gasket for hand hole	680009	51	pipe bend	680016
19	long pipe nipple	680018	52	pipe bend	680026
20	pipe double nipple	680418	53	pipe bend	580005
21	pipe double nipple	680424	54	pipe bend	680004
22	pipe double nipple	680636	55*	fitting, T-format	680618
23	pipe double nipple	680015	56	fitting, T-format	800464
24*	blasting hose	620094	57	hexagonal sleeve	800460
25	safety claw	800088	58	plug	680713
26	screw-in nozzle	680428	59	lock nut	680020
27	air hose	620009	60	wing nut	680850
28	hose sleeve	800600	61	gasket	680851
29	nozzle	800383	62	silencer (extra)	610049
30	nozzle	800485			

to Drawing

Large Blasting Pot **KIESS**

Large Blasting Pot Taifun 8000

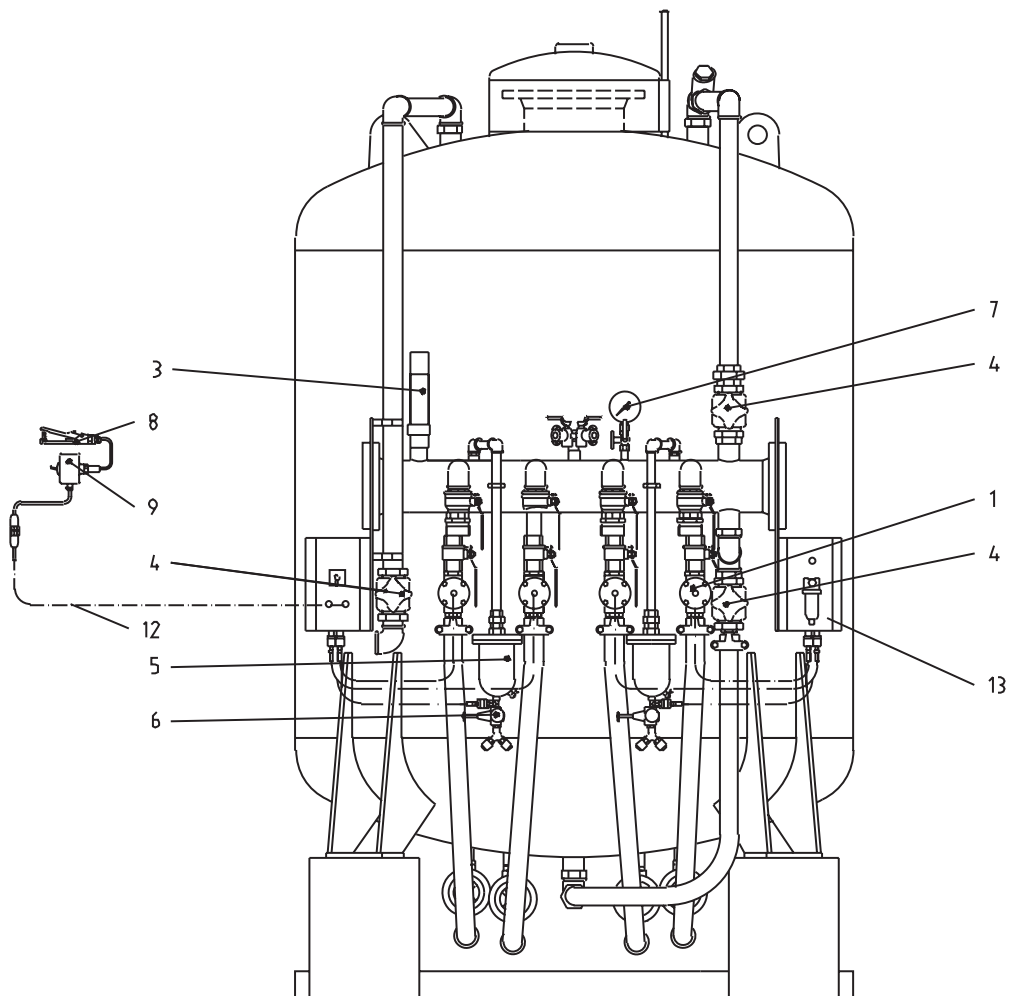
Pot Capacity 5400 l
Max. content (slag) approx. 8000 kg
Operating pressure 12 bar

Equipment:

- 4 automatic dosing valves ADV 80
- manhole
- bags with fork lift inlet
- electro-pneumatic remote control EDF-2 with 4 x 20 m control cable, manual switchbox and operating lever

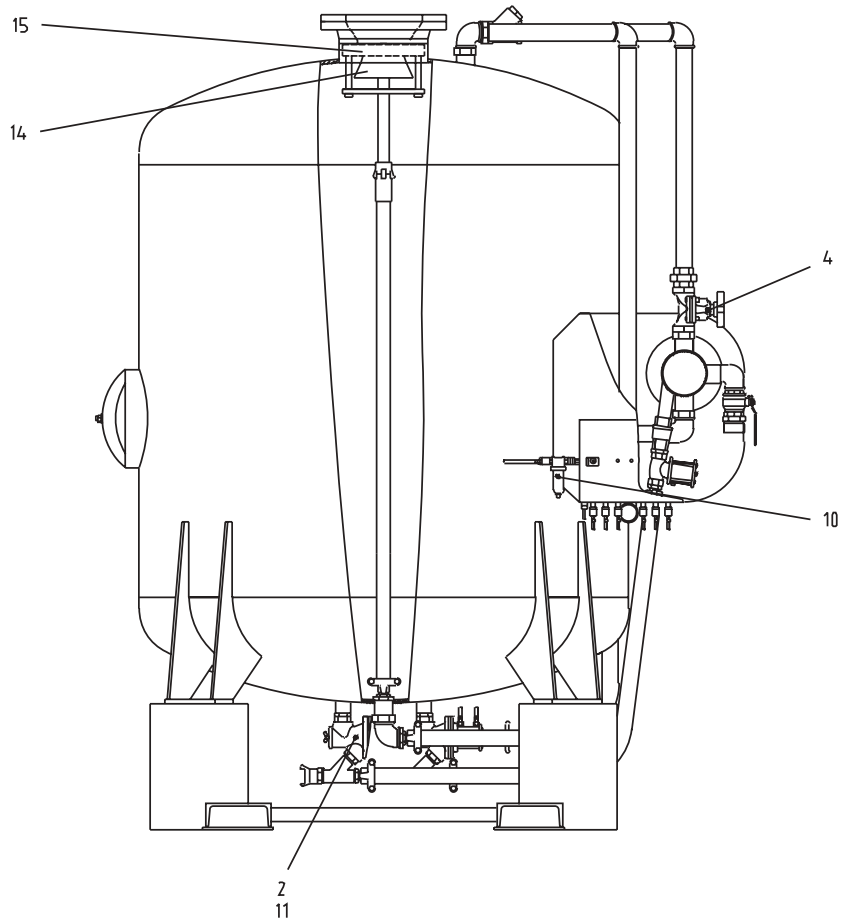
available as extras:

- Taifun 8000 fitted to a turntable wagon for mobile use e.g. in factories
- Taifun 8000 fitted to a tandem wagon for use as road vehicle
- Taifun 8000 with integrated compressed air aftercooler



Large Pressure Blasting Tank **KIESS**

Taifun 8000 ■■■



Spare Parts List

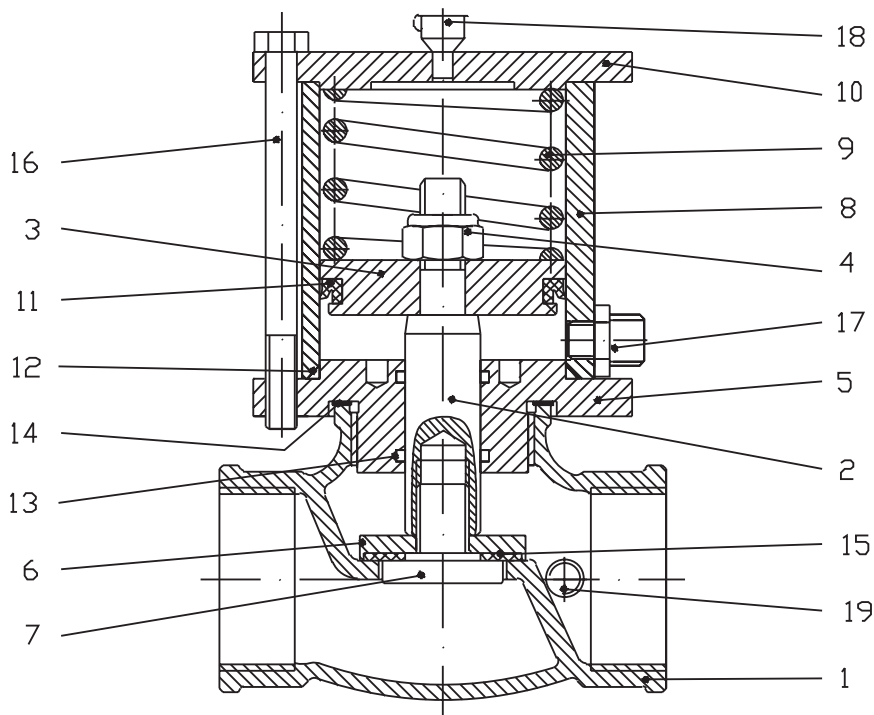
Pos. No.	Description	Article/Part No.
1	air inlet valve DVL, G1 ½	610068
2	dosing valve ADV 80	610165
3	safety valve 12 bar, G1 ½	800121
4	membrane valve G2	680021
5	fresh air filter	640030
6	pressure reducer	800238
7	manometer and test flange	800250
8	remote control lever EDF – S assy.	680822
9	compressed air blasting medium switch	610113
10	filter G 3/8	800217
11	reduction nipple G1 ½ x G¼ , a-a	680718
12	control cable black, as required, length 20 m	680127
	50 m	680130
	100 m	680131
13	switch box EDF – 2	610123
14	conical stopper	680373
15	filler cap gasket	680375
16	O-ring holding	680374
17	manhole gasket	20549



Pneumatically Controlled Air Inlet Valve **KIESS**

Air Inlet Valve DVL 1 1/2" ■■■

Description: Art. No.
 air inlet valve DVL 1 1/2 " 610068



Spare Parts List Air Inlet Valve DVL 1 1/2"

Pos. No.	Description	Article/Part No.
1	housing	680118
2*	piston rod	680330
3	piston	680329
4	check nut	681412
5	guide flange	680335
6	valve pad	680122
7	screw clip	680123
8	cylinder housing	680332
9	spring	680328
10	cylinder housing flange	680333
11*	piston ring	680086
12*	O-ring	680109
13*	O-ring	680095
14*	gasket	680110
15*	gasket	680121
16	hexagonal screw	680331
17*	reducing double nipple	800449
18	lubricator with cap	680336
19	plug	800613

* recommendation for stocking up

Rapid Shut-Down EDF-S

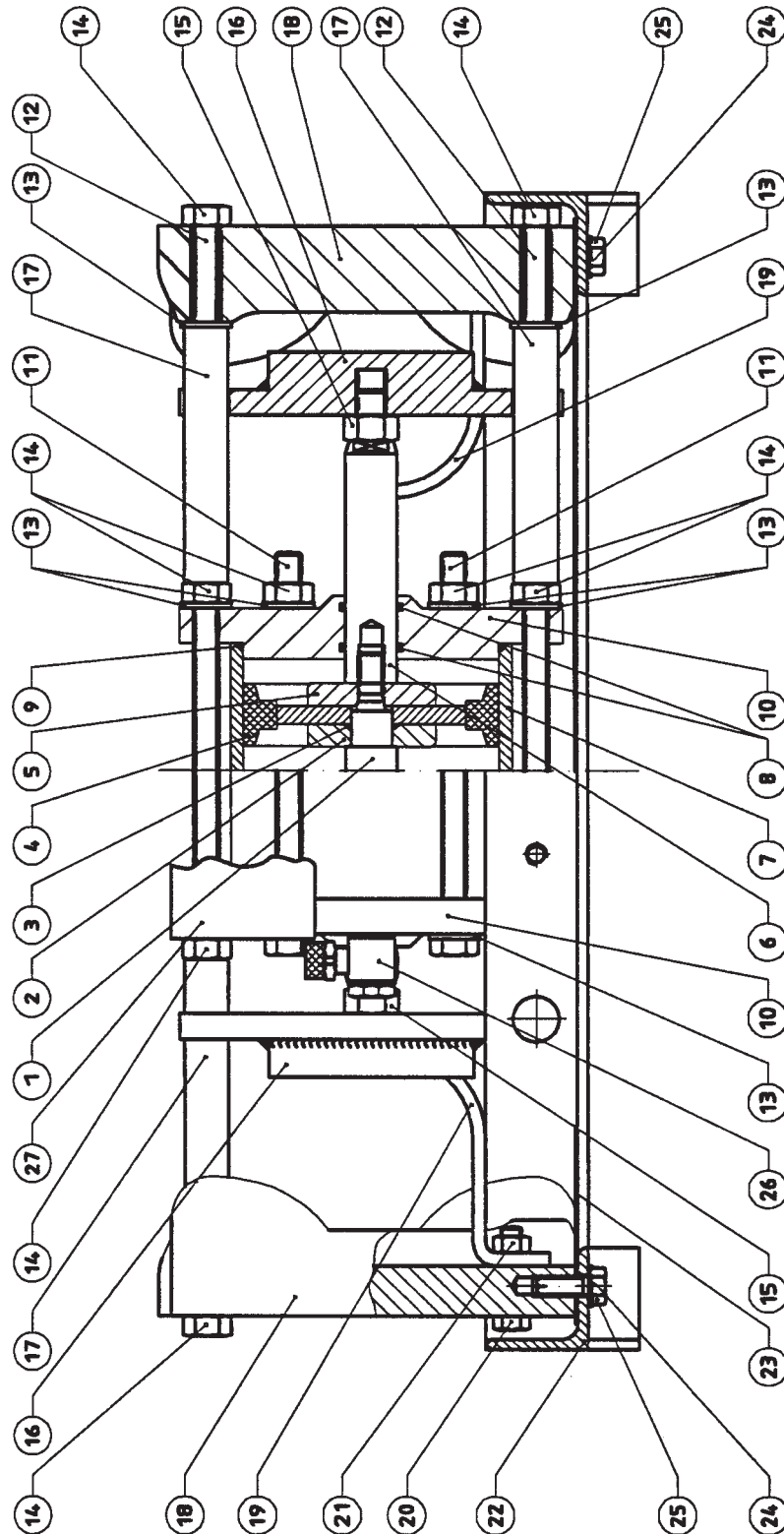


Description

Art. No.

rapid down EDF-S

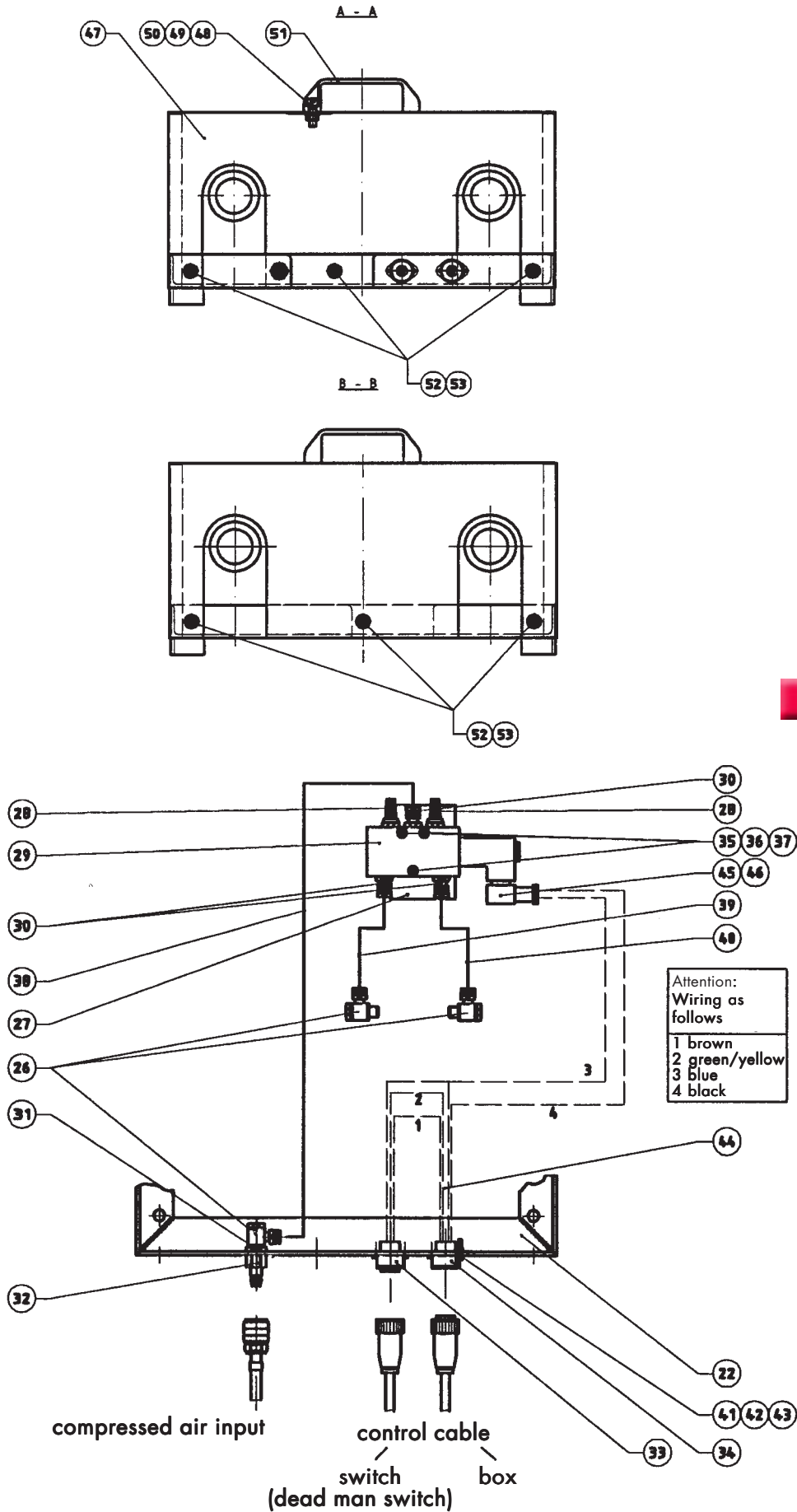
10995



to Parts List

Instant Shut-Down **KIESS**

Instant Shut-Down EDF-S ■■■

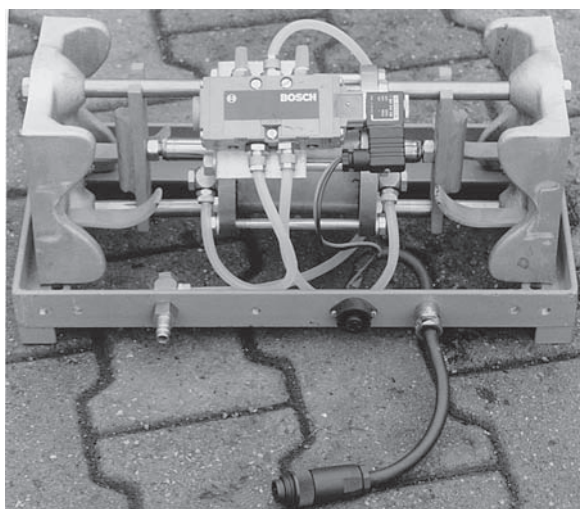


to Parts List

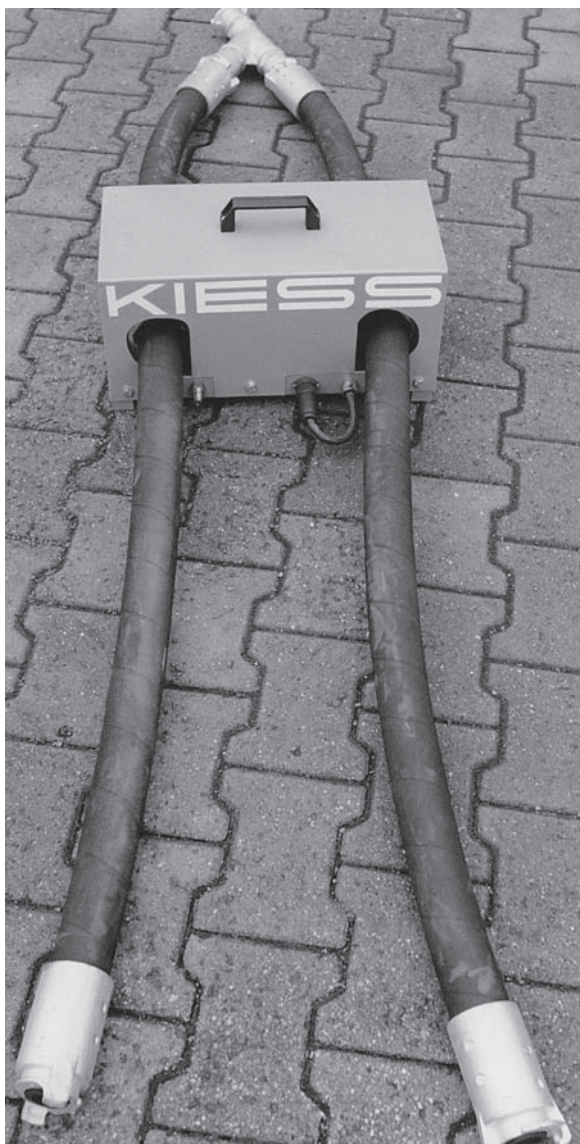
Rapid Shut-Down EDF-S ■ ■ ■

Spare Parts List rapid Shut-Down EDF-S

Pos. No.	Description	Article No.
1	piston rod male part	10962
2	thrust disc for male part	10963
3	O-ring	10964
4	piston assembly	10966
5	thrust disc for female part	10967
6	piston rod female part	10968
7	cylinder housing	10969
8	O-ring	680095
9	O-ring	10970
10	cylinder cover	10971
11	hexagonal screw	10972
12	screw rod	681437
13	washer	681374
14	hexagonal nut	681364
15	hexagonal nut	681365
16	clip	10973
17	spacing pipe	10974
18	aluminium chuck	10975
19	hose holder	10976
20	hexagonal screw	681256
21	hexagonal nut	681363
22	frame	10977
23	base plate	10978
24	washer	681373
25	hexagonal screw	681252
26	angle screw fitting	800426
27	securing angle piece	10979
28	silencer	800994
29	5/2 magnet valve; 12 or 24 V	10980
30	screw-in fitting	800413
31	reduction part	800455
32	push-on nipple	800390
33	flange socket	680483
34	flange insert	10615
35	hexagonal screw	681256
36	washer	681371
37	hexagonal nut	681361
38	PE hose int. dia.4 x1x500	620138
39	PE hose int. dia.4 x1x275	620138
40	PE hose int. dia.4 x1x250	620138
41	cylinder screw	681249
42	spring washer	681264
43	hexagonal nut	681263
44	power cable	680797
45	connector socket	10938
46	magnet coil	10981
47	cover	10988
48	hexagonal nut	681363
49	cylinder screw	680128
50	washer	681373
51	handle black	681088
52	hexagonal screw	681252
53	washer	681373

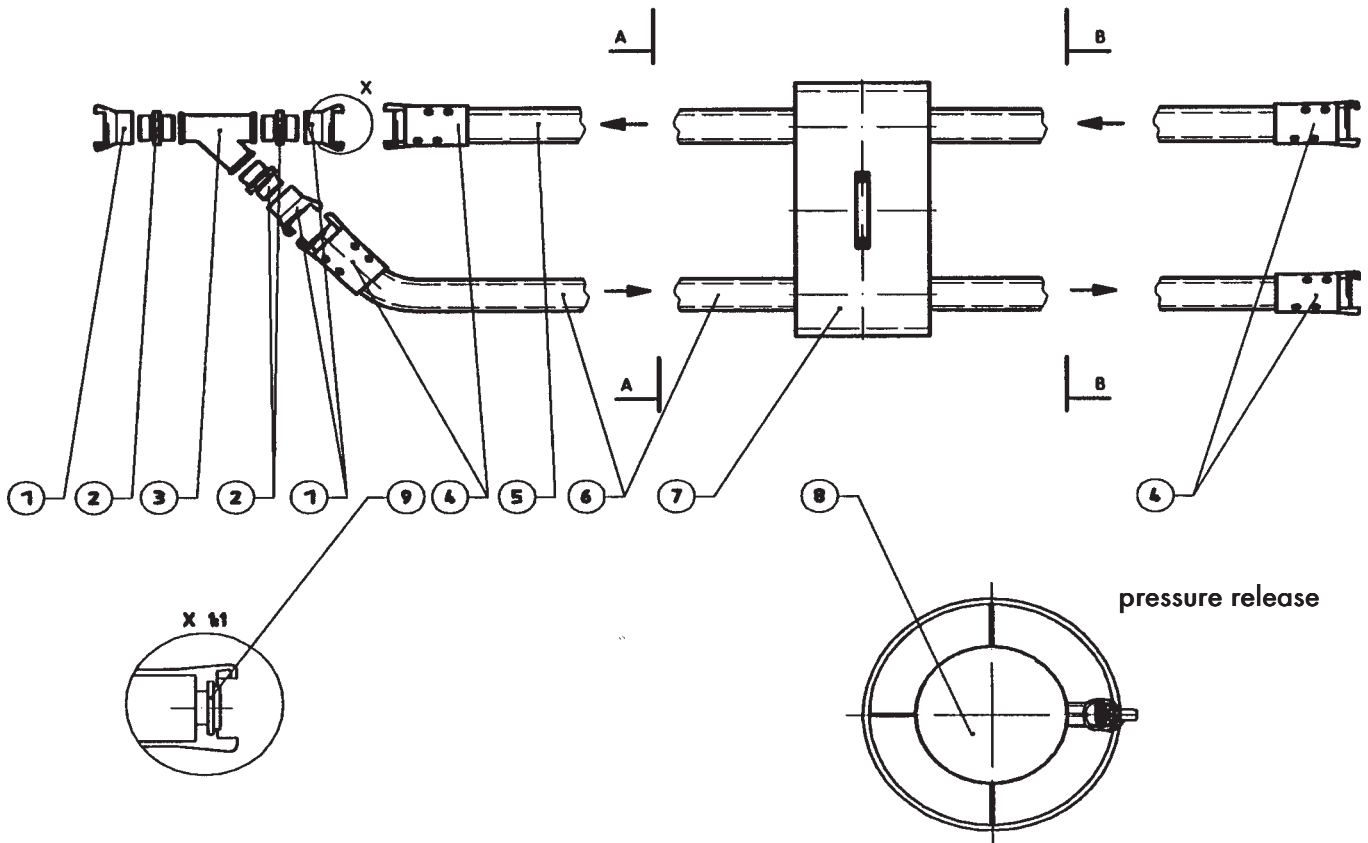


to Drawing



to Drawing

Spare Parts for **Rapid Shut-Down EDF-S Assembly**



Pos. No. Description

Art. No.

1	HKT-F connector	610027
2*	double nipple, steel	680564
3*	fitting, Y-format, rubberised	680045
4	HKT connector	610005
5	blasting hose dia. 42x9, 2000 mm long	620094
6	relief hose dia. 42x9, 2000 mm long	dto.
7	instant stop	610260
8	pressure release	610262
9*	gasket HKD	610010

* recommendation for stocking up

Pneumatic Remote Control **KIESS**

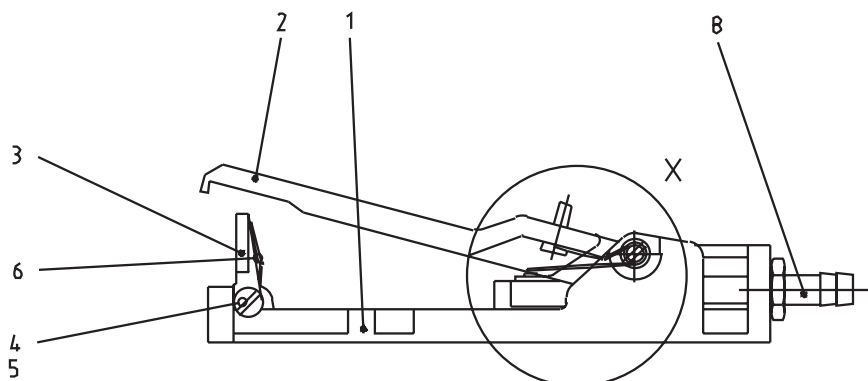
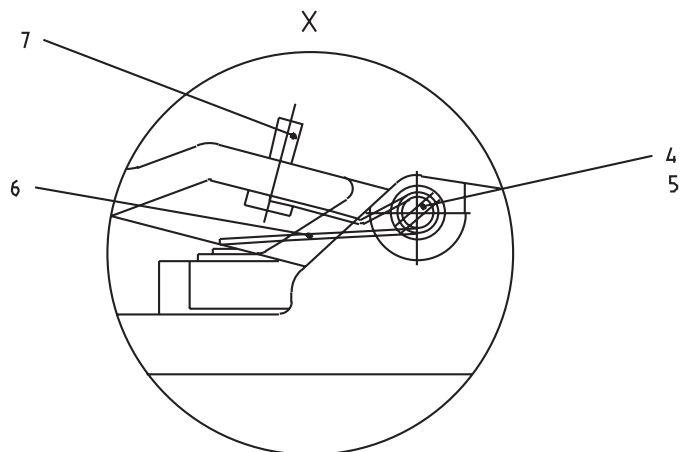
Remote Control Assembly/Pneumatic Hand Grip ■■■

Description:	Art. No.:
mini DF incl. 10 m control hose and hand grip	610044
DF 2/1 K incl. 20 m control hose and hand grip	610045
remote control lever DF2/2K with 2 air connectors	610043
remote control lever DF-S with 1 air connector	610137

Spare Parts for Remote Control Lever DF-S

Pos. No.	Description	Art. No.
1	housing	680820
2	operating lever	680188
3	safety limiter	680819
4	bolt	680155
5	check nut	681212
6*	spring	680161
7*	rubber plug	680161
8	hose screw connector	800494

* recommended for wearing parts



Pneumatic Remote Control **KIESS**

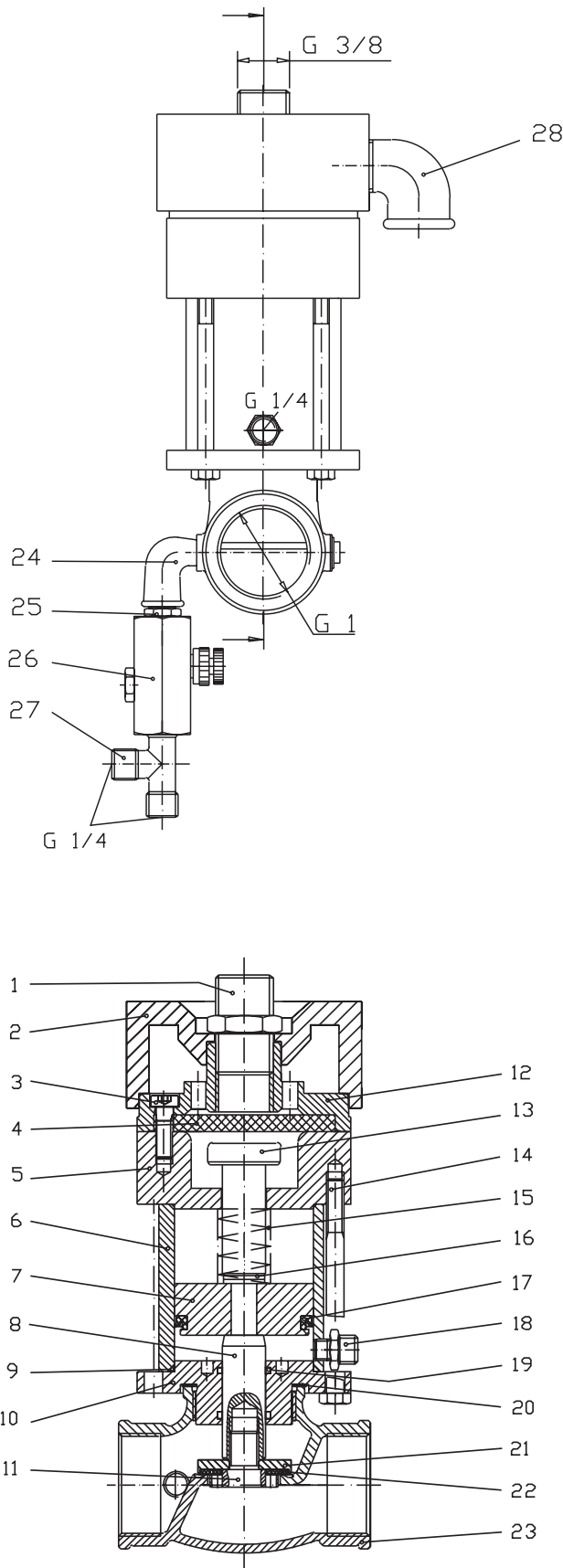
Remote Control valve Mini-DF

Description: Art. No.
 Remote control valve Mini-DF 610000

Spare Parts List for Remote Control valve Mini-DF

Pos. No.	Description	Article/Part N.
1*	double nipple	680611
2*	outlet channel	680290
3	internal hexagonal screw	680617
4*	membrane	680300
5	connector	680601
6	cylinder housing	680602
7	piston	680603
8*	piston rod	680604
9	O-ring	680605
10	guide flange	680606
11	clip screw	680607
12*	release cover	680291
13	release plug	680609
14	hexagonal screw	680610
15	pressure spring	680512
16	washer	681373
17*	piston ring	680612
18*	reduction double nipple	800449
19*	O-ring	680613
20*	gasket	680615
21	valve head	680616
22	gasket	680600
23	housing	680608
24	elbow	680381
25	double nipple	800446
26	choke return valve	680166
27	fitting, T-format	800464
28*	elbow	680358

* r recommendation for stocking up



Pneumatic Remote Control **KIESS**

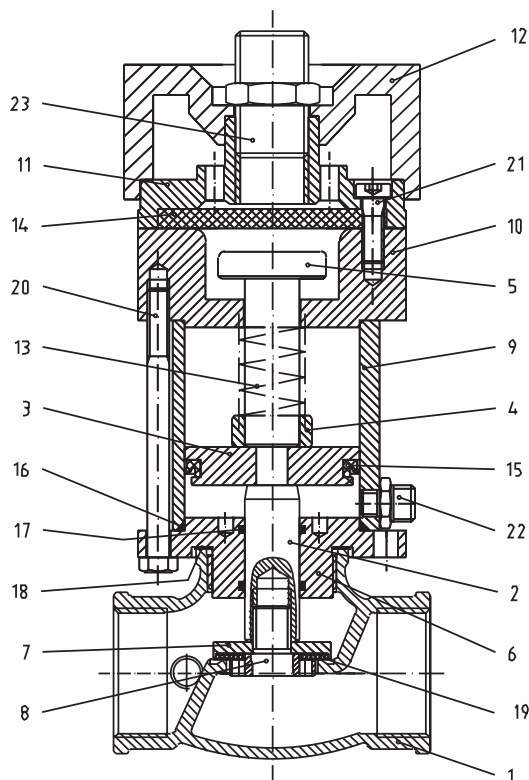
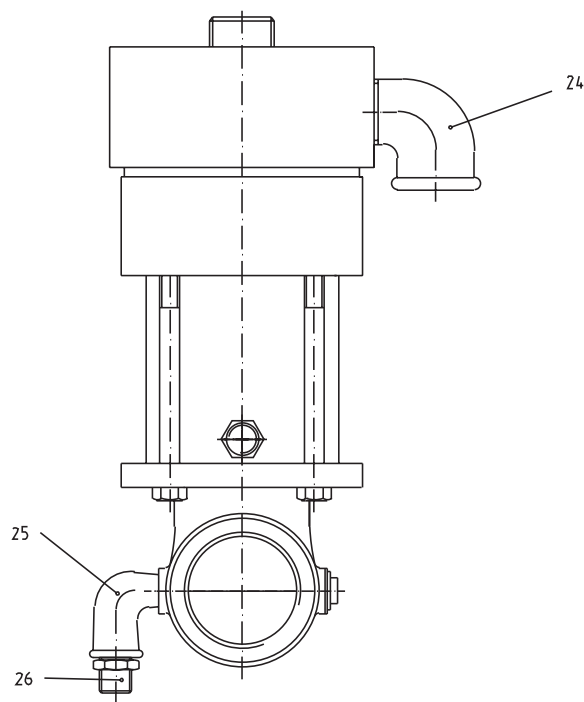
Remote Control valve DF-2/1 K ■■■

Description	Art. No.
remote control valve DF-2/1 K	610126

Spare Parts List Remote control Valve DF-2-2/1 K

Pos. no.	Description	Article/Part No.
1	housing	680118
2*	piston rod	680330
3	piston	680329
4	bush	680343
5	release plug	680342
6	guide flange	680344
7	valve head	680122
8	screw clip	680123
9	cylinder housing	680332
10	connector	680341
11*	release cover	680126
12*	release channel	680125
13	spring	680512
14*	membrane	680134
15*	piston ring	680086
16*	O-ring	680109
17*	O-ring	680095
18*	gasket	680110
19*	gasket	680121
20	hexagonal screw	680331
21	hexagonal screw, int. thread	680128
22*	reduction double nipple	800449
23*	double nipple	680124
24*	elbow	680141
25	elbow	680381
26	double nipple	800446

* recommendation for stocking up



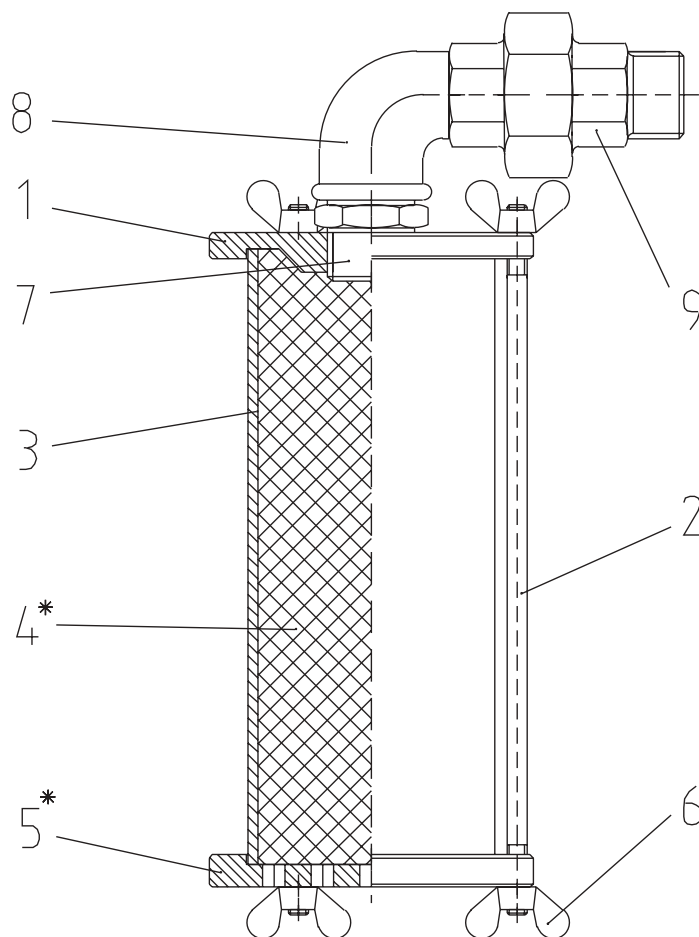
_____ Silencer for Remote Control Valve DF-2/1 K ■■■

Description: Art. No.
silencer for remote control valve DF-2/1 K 680143

Spare Parts List, Silencer

Pos. No.	Description	Article/Part No.
1	top cover	680143
2	bolt	680144
3	silencer housing	680145
4*	nylon filter (4 times per set)	680146
5+	bottom cover	680147
6	wing nut M6	680150
7	double nipple	680124
8	elbow	680141
9	screw connector	680148

* recommended for wearing parts



Electro-Pneumatic Remote Control KIESS

Remote Control Hand Grip EDF-S ■ ■ ■

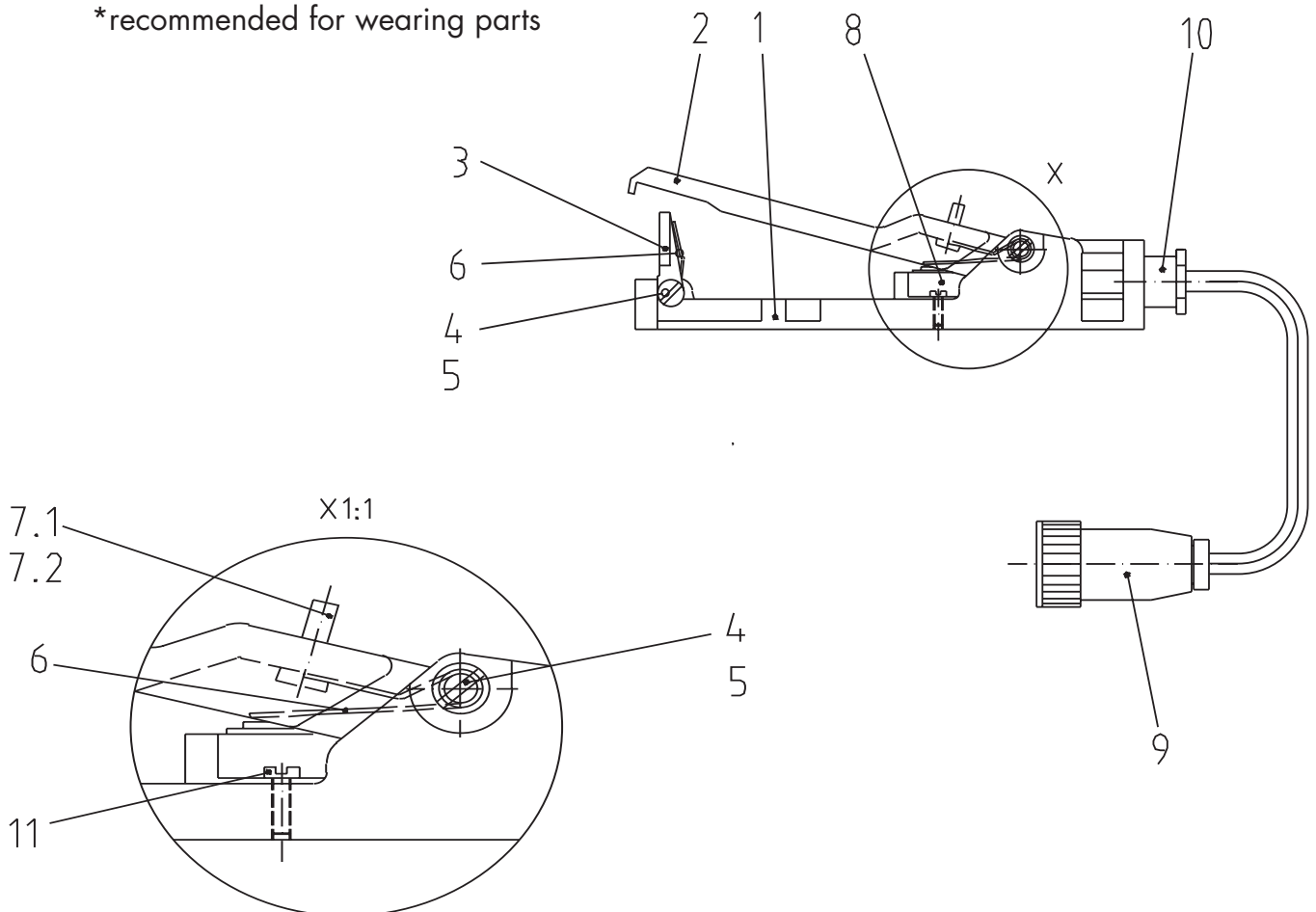
Description:
remote control hand grip EDF-S

Art. No.:
680822

Spare Parts for Remote Control Grip EDF-S

Pos. No.	Description	Article/Part No.:
	remote control hand grip EDF-S assy	680822
1	housing	680822
2	hand lever	680188
3	safety limiter	680818
4	bolt	680155
5	check nut	681212
6	spring	680156
7.1*	plastic screw	13032
7.2*	plastic nut	13033
8*	micro switch (incl. cable)	680157
9*	plug	680159
10	screw fitting	20895
11	cylinder screw	681213

*recommended for wearing parts

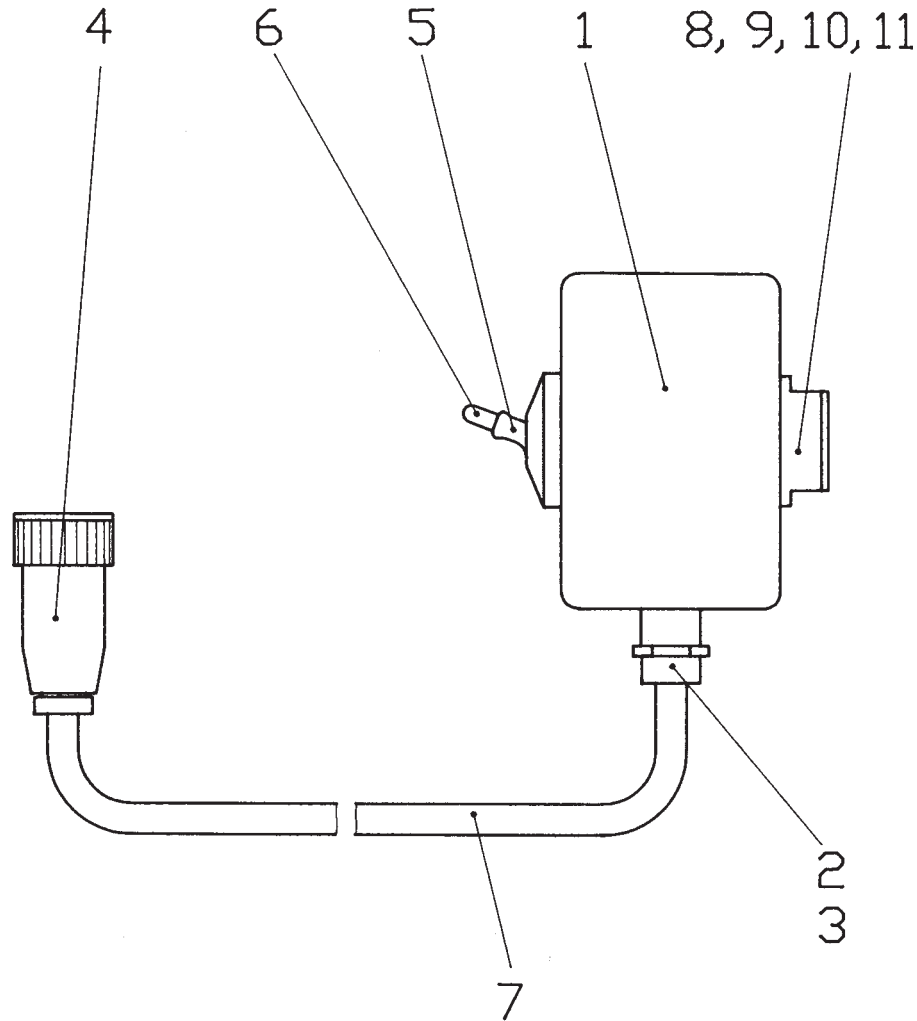


Electro-Pneumatic Remote Control KIESS

Compressed Air Abrasive Medium Switch ■ ■ ■

Description:
Abrasive Switch

Art. No.:
610113



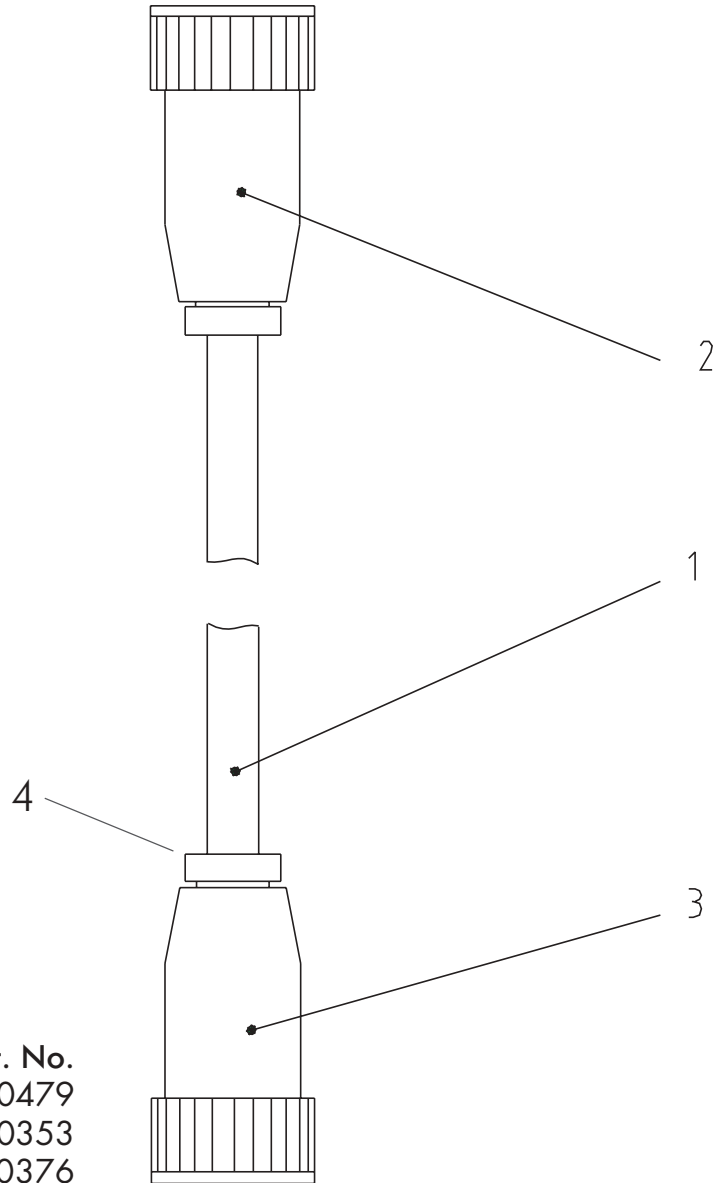
Abrasive Switch

Pos. No.:	Description	Article/Part No.:
1	housing with holder	680480
2	screw connector	20895
3	nut	800706
4	cable plug	680376
5	neoprene cap	680111
6	switch	680481
7	cable	680474
8	flange socket	680483
9	hexagonal screw M3 x 20	681249
10	hexagonal nut M3	681263
11	spring washer	681264

Electro-Pneumatic Remote Control KIESS

Control Cable ■■■

Description:
control cable



Spare Parts List

Component Parts:

Pos. No.	Description	Art. No.
1	control cable	680479
2	control cable socket	680353
3	control cable plug	680376
4	strain relief	800707

Control Cable Assy., 3-Phase

Length	Art. No.
20 m	680127
50 m	680130
100 m	680131

Control Cable Assy., 4-Phase

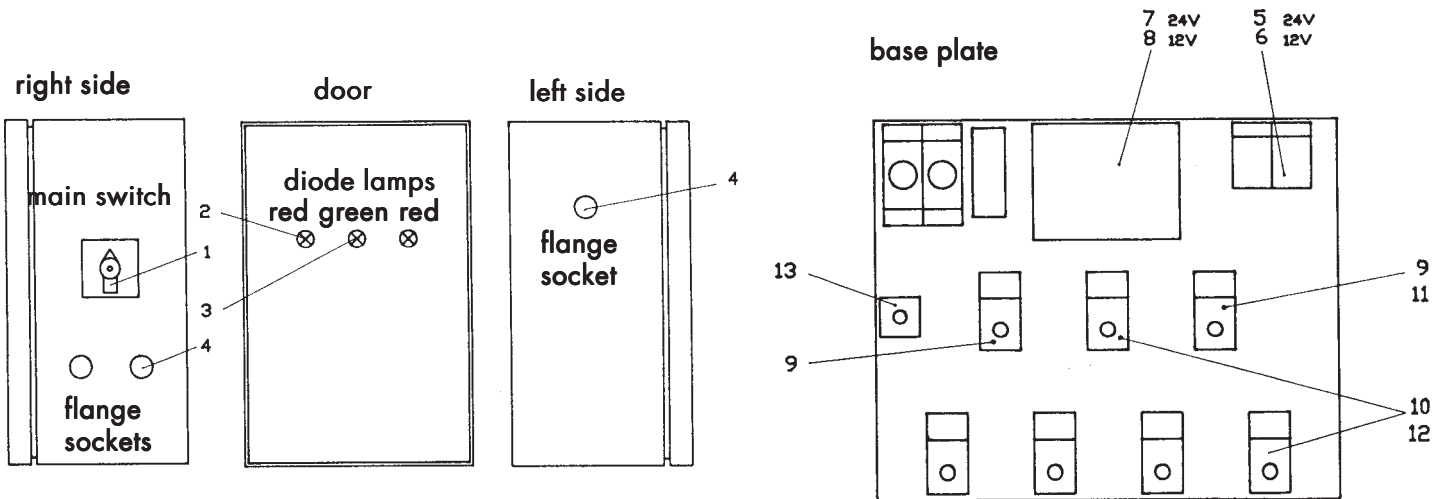
Length	Art. No.
20 m	680129
50 m	680133

Electro-Pneumatic Remote Control KIESS



Description:

switch box for remote control ES 1	12V/230V	Art No.: 610163
switch box for remote control EDF 1	12V/230V	610140
switch box for remote control EDF 2	12V/230V	610161
switch box for remote control EDF 2 with timer	2V/230V	610143
battery connecting cable, length 5 m		680888
switch box support EDF 1		680287



Switch Boxes ES-1, EDF-1, EDF-2

			230/12V	230/12V	230/12V	230/12V
				with timer		
	Art. No.	Name	610163	610140	610143	610161
Pos.			Qty.	Qty.	Qty.	Qty.
1	582557	main switch	1	1	1	1
2	582170	diode lamp, red	1	1	2	2
3	582171	diode lamp, green	1	1	1	1
4	680483	flange socket	2	2	3	3
5	582014	relay 24V	-	-	2	-
6	582028	relay 12V	-	1	2	2
7		transformer 230/24V	-	-	1	-
8	610189	transformer 230/12V	1	1	-	1
9	611001	magnetic valve (power off = open) S 5/1	-	-	2	-
10	611002	magnetic valve (power off = closed) S5	-	-	5	-
11	611004	magnetic valve (power off = open) S 4/1	-	1	-	2
12	611004	magnetic valve (power off = closed) S4	1	2	-	4
13	582201	DC converter	1	1	1	1

Medium Volume Regulator Valve KIESS

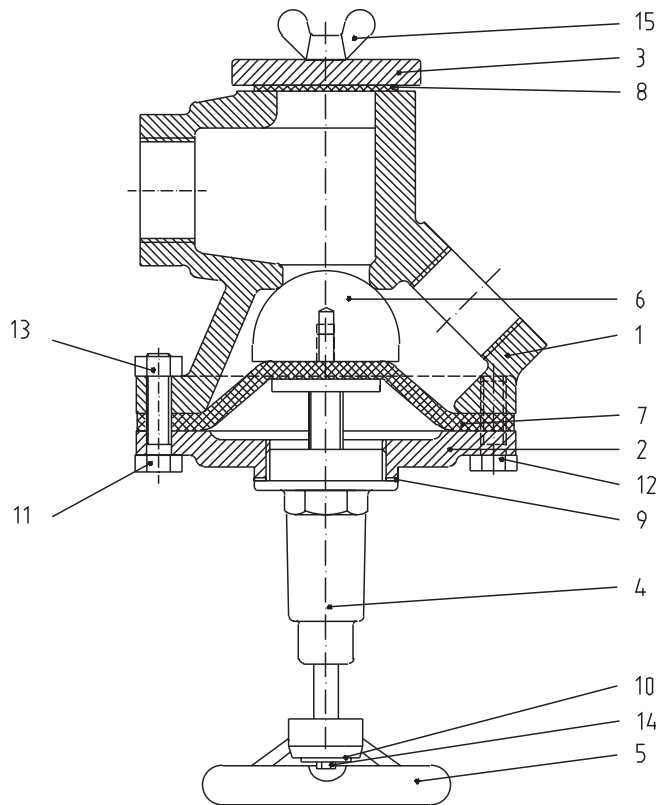
Medium Volume Regulator Valve DV 80

Description:

Medium Volume Regulator Valve DV 80

Art. No.:

610166



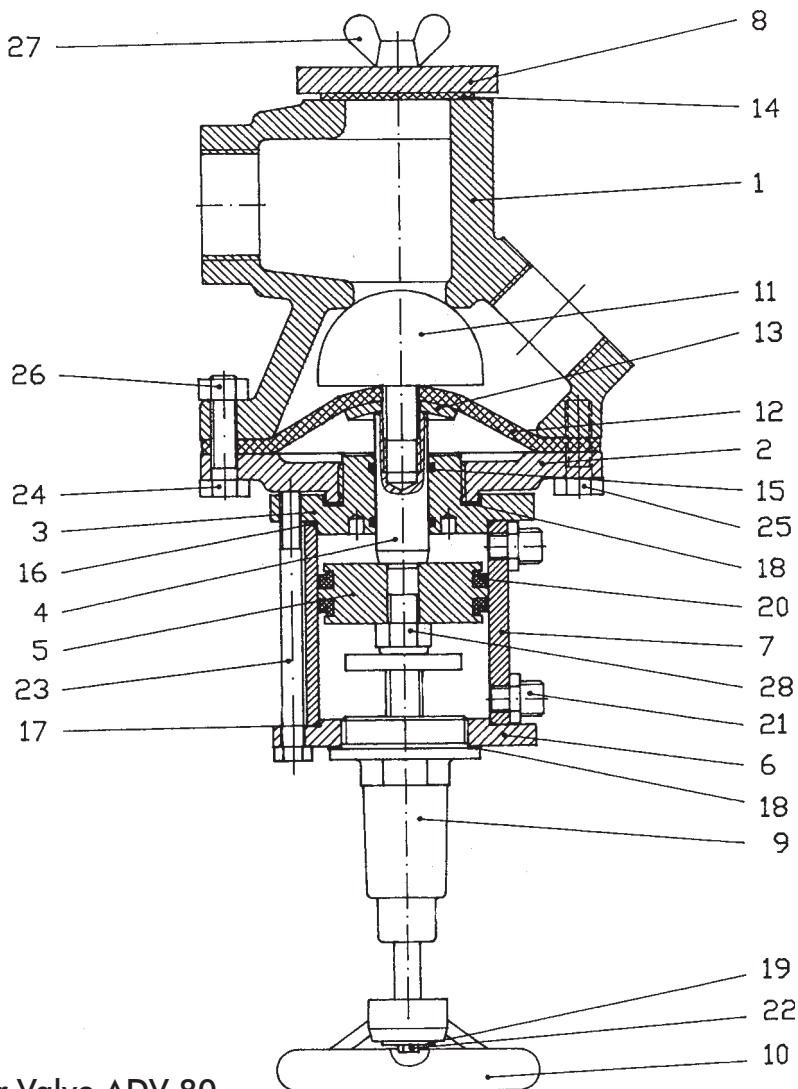
Spare Parts list Medium Volume Regulator Valve DV 80

Pos. No.	Description	Art.Part No.
1	housing	680054
2	housing flange	680853
3	cleaning cover	680852
4	adjusting pin	680090
5	hand wheel	680091
6*	conical stopper	680114
7*	rubber membrane	680097
8	gasket	680851
9	gasket	680110
10	washer	680477
11	hexagonal screw	681276
12	hexagonal screw	681274
13	hexagonal nut	680364
14	hexagonal screw	681200
15	wing screw	680850

Medium Volume Regulator Valve **KIESS**

ADV 80 ■■■

Description: Art. NO.:
ADV 80 610165



Spare Parts List Volume Regulator Valve ADV 80

Pos. No.	Description	Art./Part No.	Pos. No.	Description	Art./Part No.
1	housing	680854	6*	O-ring	680109
2	housing flange	680853	17*	O-ring	680340
3	guide flange	680335	18	gasket	680110
4*	piston rod	680330	19	washer	680477
5	piston	680087	20*	piston ring	680086
6	cylinder flange	680337	21*	red. double nipple	800449
7	cylinder housing	680338	22	hexagonal screw	681200
8	cleaning cover	680852	23	hexagonal screw	681339
9	adjusting pin	680090	24	hexagonal screw	681276
10	hand wheel	680091	25	hexagonal screw	681274
11*	conical stopper	680096	26	hexagonal nut	680364
12*	rubber membrane	680092	27	wing screw	680850
13	washer	680449	28	check nut	681412
14	gasket	680851			
15*	O-ring	580095			

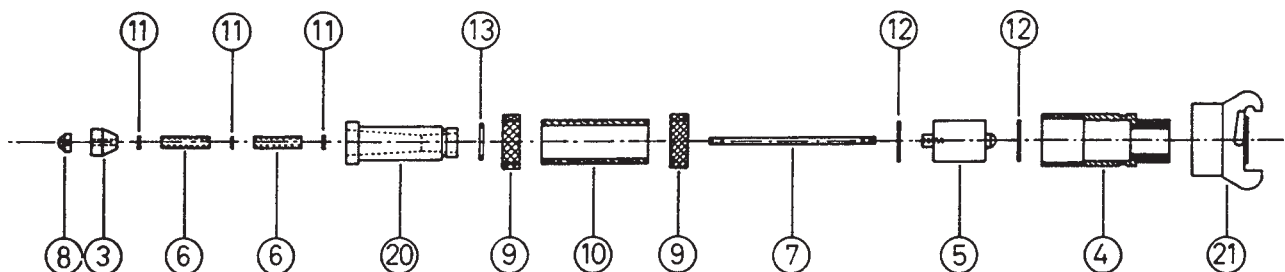
* recommendation for stocking up

Description:

Tornado Junior, with hard metal nozzle 16 mm

Art. No.:

600014

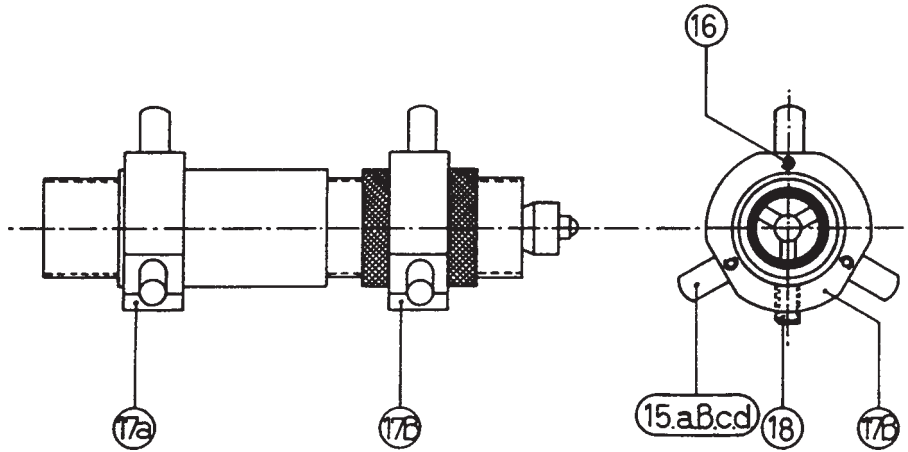


**Spare Parts List Pipe Interior Blasting Unit Tornado Junior
for Pipe from 150 to 300 mm Int. Dia.**

Pos. No.	Description	Art. No.
	guide ring assy. for 75-125 mm	680215
2	guide ring assy. for 125-300 mm	680216
3	cone, hard metal	680201
4	housing	680203
5	holder	680204
6	casing	680206
7	spindle	690208
8	nut	680209
9	ring	680211
10	case, threaded	680210
11	washer	680213
12	gasket	689212
13	O-ring	680214
15a	centring pin 8 mm	680219
15b	centring pin 15 mm	680220
15c	centring pin 20 mm	680221
15d	centring pin 28 mm	680222
16	bolt	20118
17a	guide ring 42 mm	680217
17b	guide ring 47 mm	680218
18	wheel bolt with screw	680226
19	wheel for guide carriage	680225
20a	hard metal jet 12.5 mm	680223
20b	hard metal jet 16 mm	680224
21	connector 1 1/4"	610007

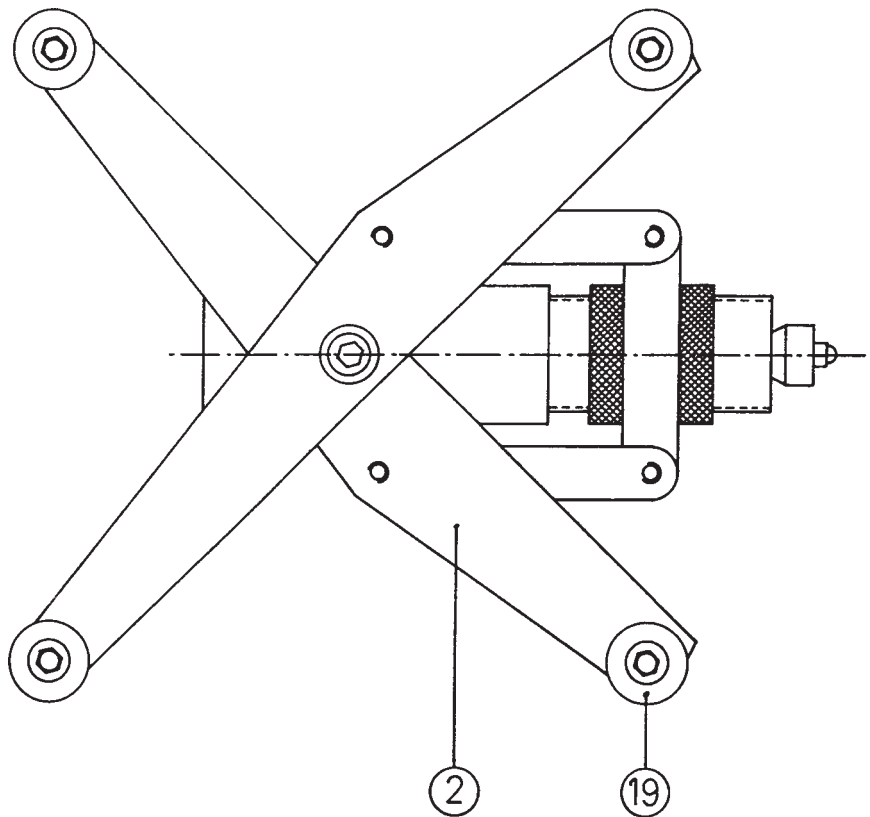
Pipe Interior Blasting Unit **KIESS**

Tornado Junior ■■■



Tornado Junior for pipes from 150 to 300 mm int. diameter

[to Parts List](#)

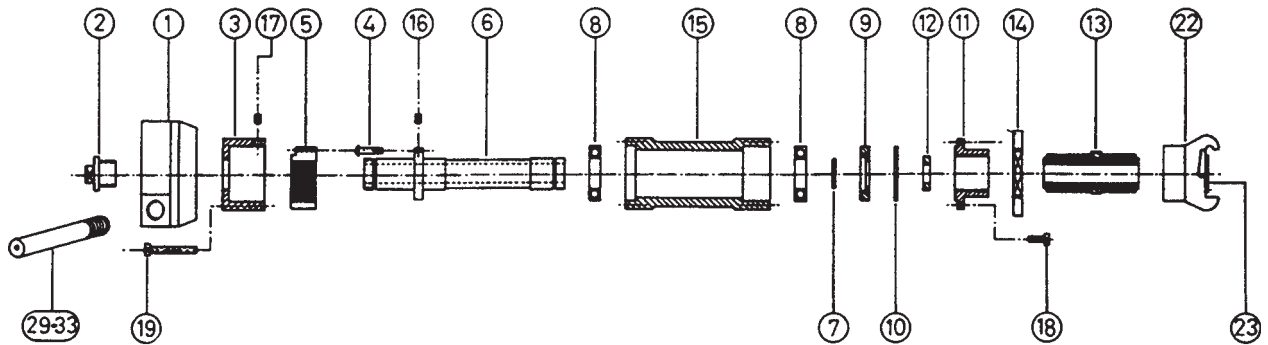


Pipe Interior Blasting Unit **KIESS**

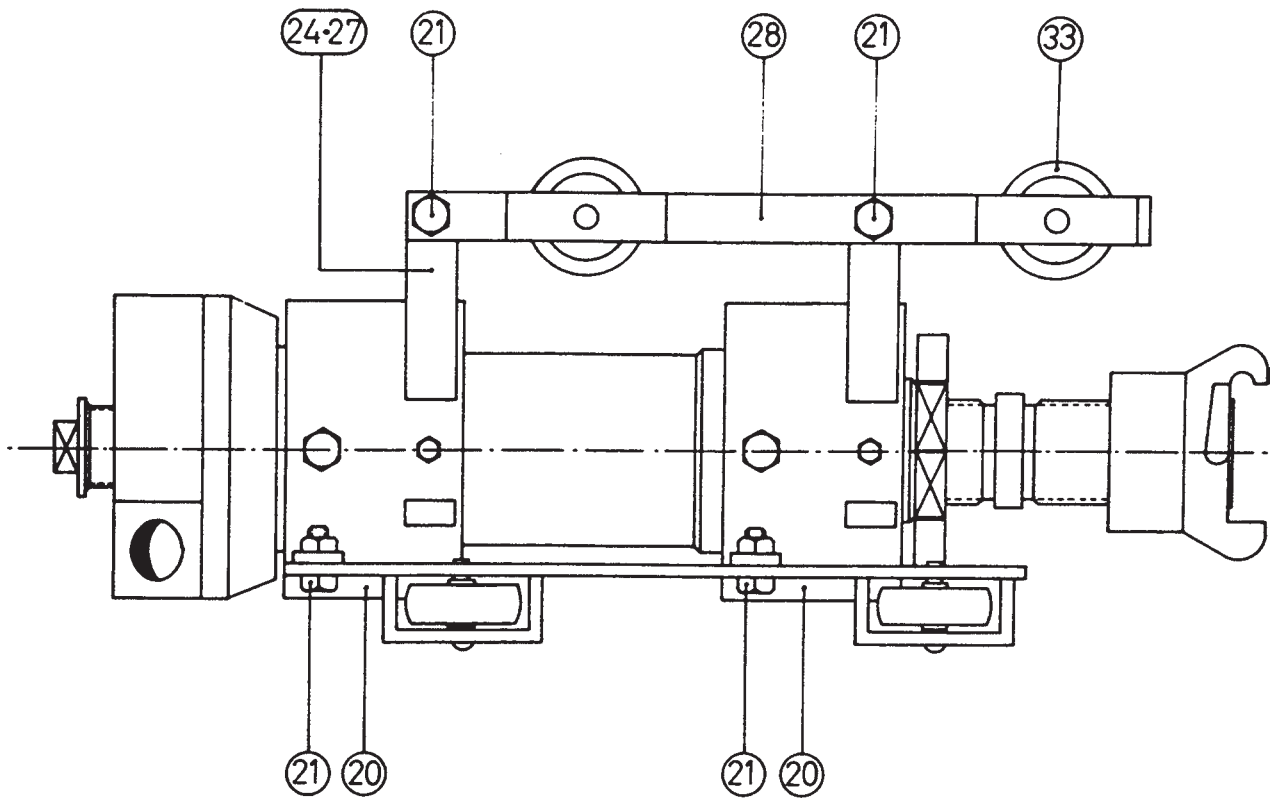
Tornado with Carriage without Nozzle

Description:
Tornado with carriage without nozzle

Art. No.:
600011



to Parts List



Pipe Interior Blasting Unit **KI ESS**

Tornado 

Spare Parts List, Pipe Internal Blasting Unit
for Pipe from 165 to 900 mm Int. Dia.

Pos. No.	Description	Art. No.
1	nozzle head	680171
2	blind plug	20121
3	screw	680175
4	pin for brake	680178
5	brake	680177
6	pipe	680180
7	securing ring	680182
8	ball bearing	680183
9	ring seal	680184
10	leather gasket	680185
11	rear bush	680186
12	hard metal ring	680187
13	steel nipple, rubberised	680190
14	check nut	680191
15	housing	680192
16	screw	680179
17	bolt	20122
18	bolt	20123
19	bolt	20124
20	collar	680196
21	bolt	20125
22	connector HKT/F	610007
23	gasket	20126
24	shaft 37 cm	680200
25	shaft 29 cm	680199
26	shaft 19 cm	680198
27	shaft 12 cm	680197
28	shaft with 2 wheels	680195
29	hard metal jet 6.3 mm x 45 mm	610069
30	hard metal jet 8.0 mm x 45 mm	610070
31	hard metal jet 8.0 mm x 75 mm	610071
	hard metal jet 8.0 mm x 100 mm	610103
33	hard metal jet 9.5 mm x 45 mm	610072
32	hard metal jet 9.5 mm x 100 mm	610073
33	wheel for carriage	680194
34	adjustable carriage	680193
35	wheel for carriage	680194
36	adjustible carriage	680193

to Drawing

Tornado

to Drawing

Tornado Junior

Plant for Dust Free Blasting **KIESS**

Wet Blasting Unit ■ ■ ■

Description: Art. No.:

Wet-Blasting Head 610056

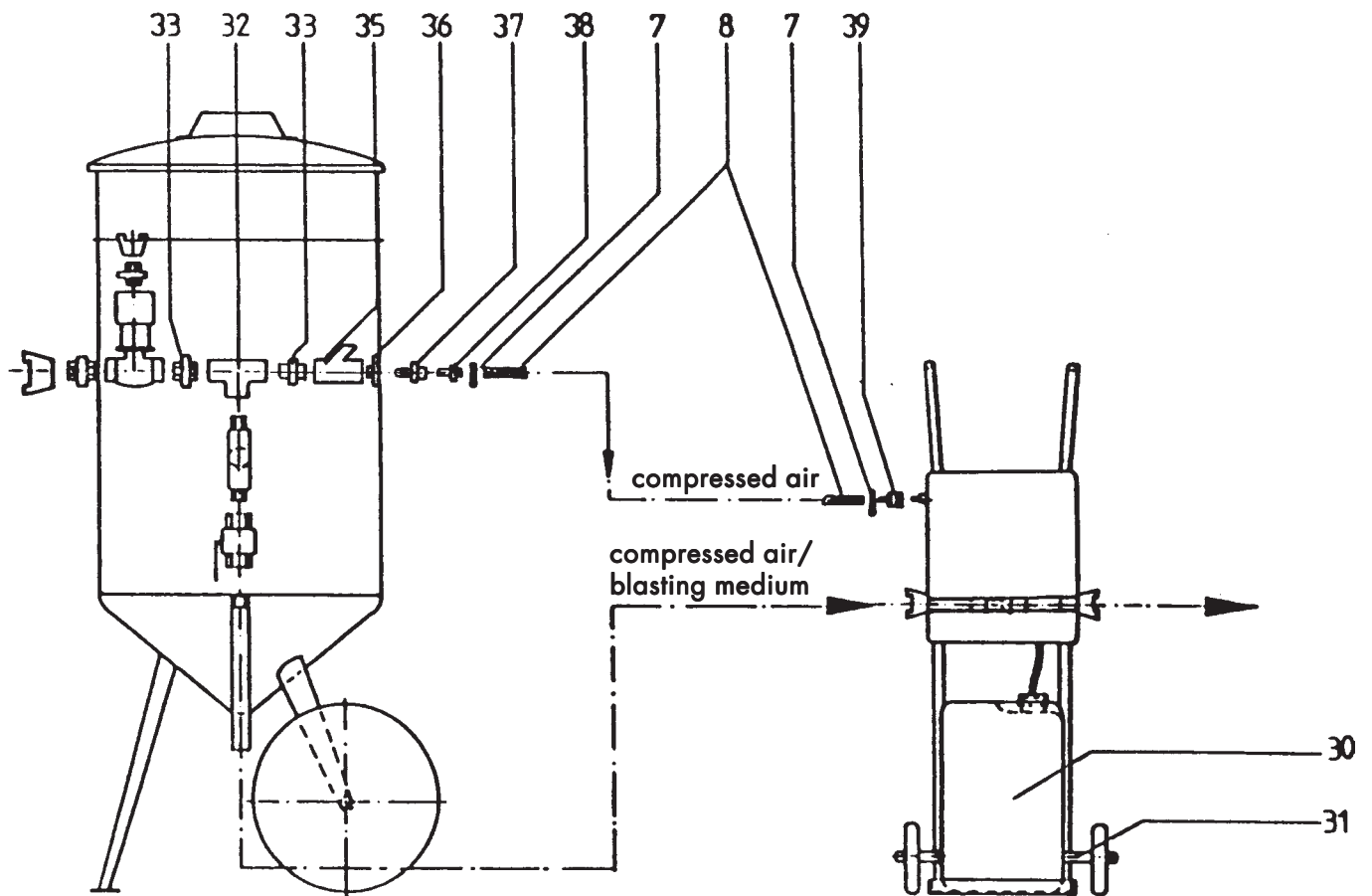
The wet-blasting head is a jet ring, which is pushed over the standard nozzle.

Wet-Blasting Head 610256

The wet-blasting head is already assembled and is fitted between the nozzle holder and the nozzle.

Wet-Blasting Unit HK-S/4 610136

The damp-blasting unit HK S4 is a mobile wet-blasting adaptor which is fitted between the pressure blasting tank and the jet and which is driven by compressed air

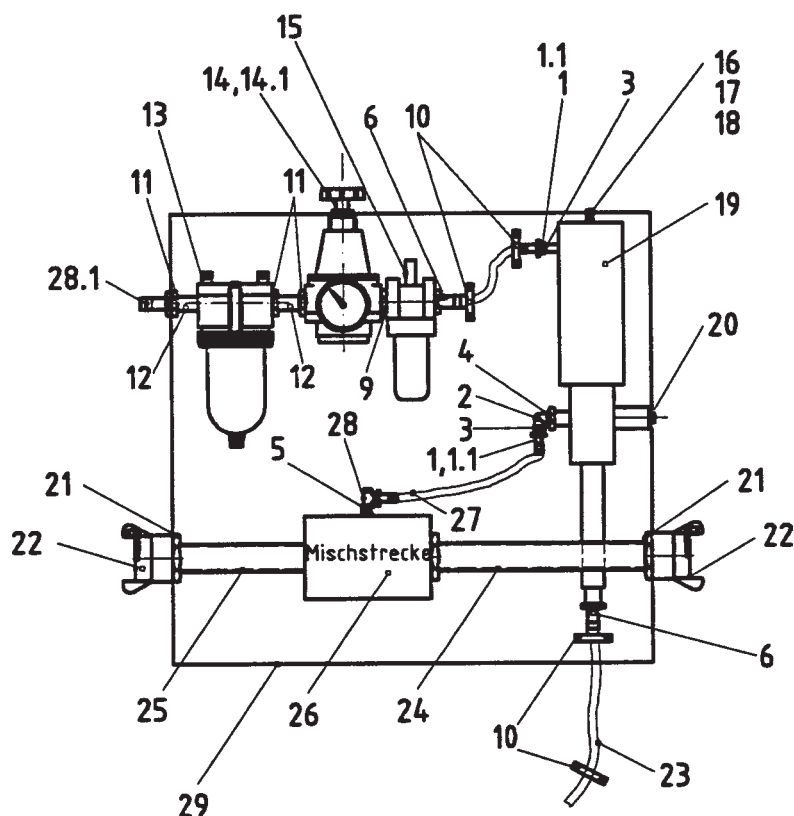


Plant for Dust Free Blasting **KIESS**

Damp-Blasting Unit HK-S/4

Spare Parts List for Damp-Blasting Unit HK-S/4

Pos. No.	Description	Article No.	Pos. No.	Description	Art. No
1	nut	800473	20	screw	681271
1.1	nozzle	800487	21	nut	680020
2	elbow	801054	22	HKT-F connector	610007
3	double nipple	800446	23	hose	620017
4	red. double nipple	800450	24	pipe nipple	16014
5	sleeve	800460	25	pipe nipple	16015
6	pipe spout	800499	26	mixing stage	16018
7	hose ring	800090	27	armoured hose	620072
8	air hose	620010	28	bleed valve	800516
9	double nipple	800447	28.1	push-on nipple	800390
10	ring	800600	29	switch box	680830
11	nut	800441	30	water storage tank	680836
12	long threaded nipple	800414	31	carriage	680835
13	filter	800217	32	fitting, T-profile	680619
14	pressure regulator	800238	33	double nipple	680028
14.1	check nut	801048	35	dirt catcher	680451
15	spray oiler	800231	36	reduction fitting	680675
16	screw	681218	37	connector	800376
17	nut	681361	38	push-on nozzle	800384
18	washer	681371	39	connector with hose fitting	800381
19	airless pump	680831			



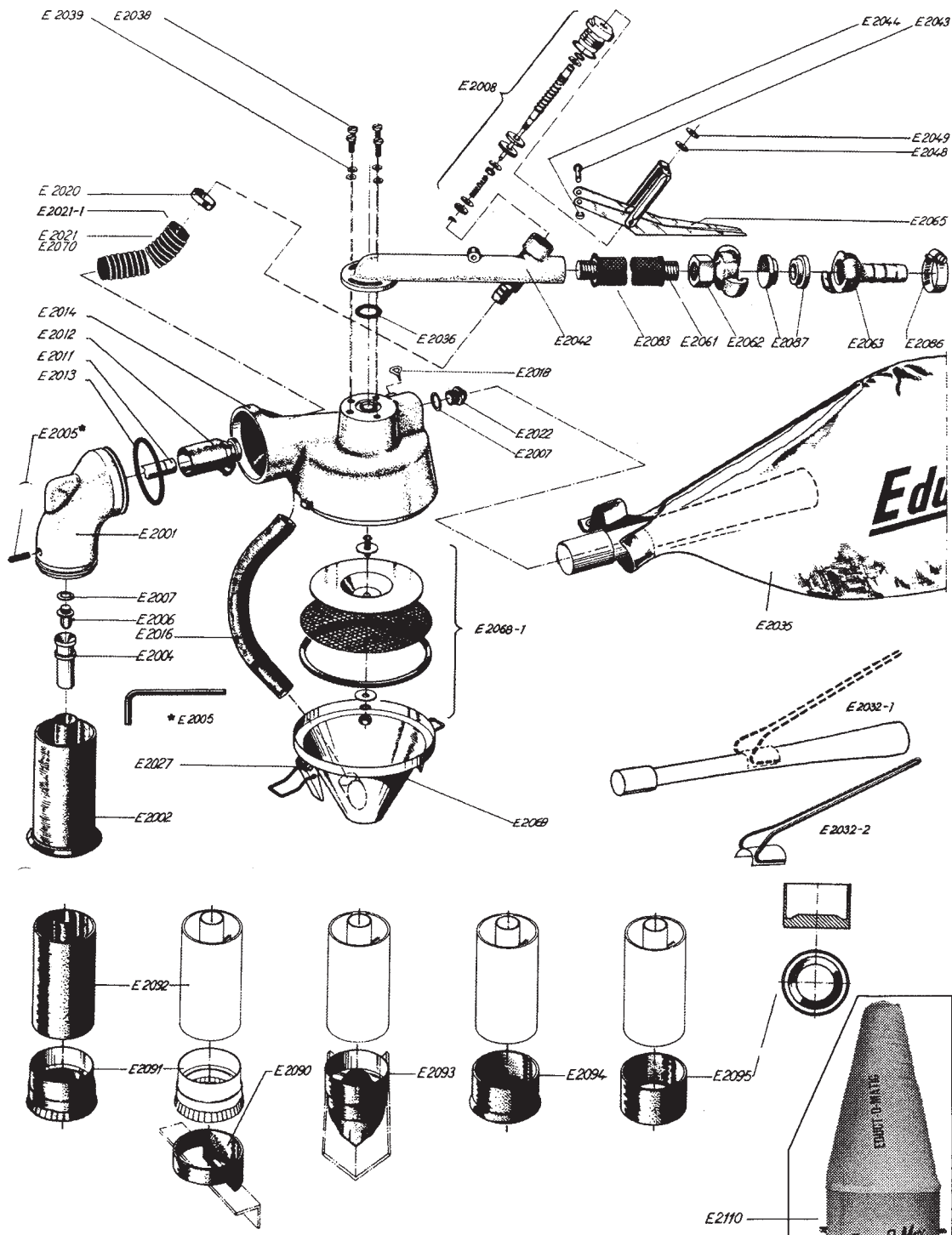
Hand-Held Blasting Unit EDUCT-O-MATIC

Description:
hand-held blasting unit EDUCT-O-MATIC

Art.-No.
600015

- Oxidation and rust removal
- Surface roughing and smoothing
- Cleaning and preparing weld seams
- Paint and dirt removal
- Polished metal finishing

[to Parts List](#)



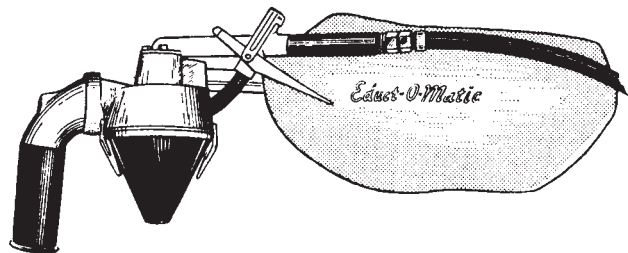
Plant for Dust Free Blasting **KIESS**

Hand-Held Blasting Unit EDUCT-O-MATIC ■ ■ ■

Spare Parts List, Hand-Held Blasting Unit EDUCT-O-MATIC

to Drawing

Pos. No.	Description	Part No.
E-2001	blasting head	680227
E-2002	standard jet	680228
E-2004	steel blasting jet	680229
E-2005	wing nut	680231
E-2006	air jet	680232
E-2007	fibre ring	680233
E-2011	blasting air pipe	680234
E-2012	connector	680235
E-2013	rubber gasket	680236
E-2014	housing	680237
E-2016	medium feed hose	680238
E-2018	wing nut	680239
E-2019	washer for E-2024	680240
E-2020	hose clip for E-2024	680241
E-2021	compressed air hose	680242
E-2022	injector dust jet	680243
E-2026	counter washer for E-2019	680242
E-2027	lock for medium tank	680248
E-2032	emptying pipe for dust bag holder	680249
E-2035	dust bag	680251
E-2036	valve seal	680252
E-2038	mounting screw for E-2042	680253
E-2039	spring washer for E-2038	680254
E-2042	valve housing	680255
E-2043	hand lever bolt	680256
E-2044	spring washer	680257
E-2045	valve head screw	680258
E-2046	fibre washer for E-2045	680259
E-2047	washer	680260
E-2048	washer same as E-2064	680261
E-2049	spring washer	680262
E-2050	valve spring	680263
E-2051	valve spindle, stainless steel	680264
E-2052	hard rubber suction valve gasket	680256
E-2053	brass washer	680266
E-2054	nut for E-2051	680267
E-2055	washer	680268
E-2056	spring for blasting E-2059	680269
E-2059	washer	680270
E-2060	spring washer E-2061	680271
E-2061	entry pipe	680272
E-2062	bayonet fitting with internal thread	680273
E-2063	bayonet connector	680274
E-2064	washer as E-2048	680275
E-2065	grip lever for main valve	680276
E-2068	blasting medium sieve	680278
E-2069	blasting medium container	780279



Accessories

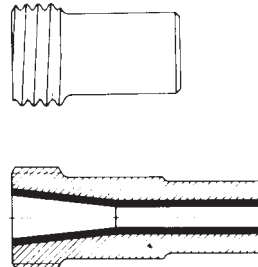
Pos. No.	Description	Part No.
E-2090	polygon profile nozzle	680320
E-2091	spray nozzle	680321
E-2092	basic nozzle for E-2090 to E-2092	680322
E-2093	angle iron profile nozzle	680323
E-2094	flat lip profile nozzle	680324
E-2095	blank profile nozzle	680325
E-2098	dust hose	680326



— Silicium Carbide and Tungsten Carbide Blasting Jets ■ ■ ■

Short nozzles with Straight Bore GKD

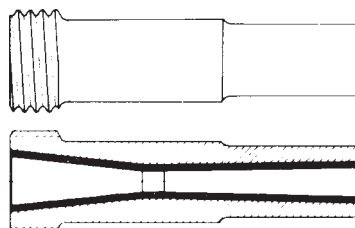
Type	Bore	Length	Jet Exit	Art. No.
GKD 5/25	5,0 mm	81 mm	25 mm	610012
GKD 6,5/25	6,5 mm	81 mm	25 mm	610013
GKD 8/25	8,0 mm	81 mm	25 mm	610014
GKD 6,5/32	6,5 mm	81 mm	32 mm	610018
GKD 8/32	8,0 mm	81 mm	32 mm	610019
GKD 9,5/32	9,5 mm	81 mm	32 mm	610020
GKD 11/32	11,0 mm	81 mm	32 mm	610021
GKD 12,5/32	12,5 mm	81 mm	32 mm	610022



Long nozzles with conical bore VD (Venturi principle)

Jets jacked in Aluminium

Type	Bore	Length	Jet Exit	Art. No.
VD 5/25	5,0 mm	106 mm	25 mm	610023
VD 6,5/25	6,5 mm	135 mm	25 mm	610024
VD 8/25	8,0 mm	140 mm	25 mm	610025
VD 9,5/25	9,5 mm	165 mm	25 mm	610026
VD 5/32	5,0 mm	120 mm	32 mm	610155
VD 6,5/32	6,5 mm	135 mm	32 mm	610029
VD 8/32	8,0 mm	140 mm	32 mm	610030
VD 9,5/32	9,5 mm	165 mm	32 mm	610031
VD 11/32	11,0 mm	197 mm	32 mm	610032
VD 12,5/32	12,5 mm	224 mm	32 mm	610033
VD 16/32	16,0 mm	224 mm	32 mm	610034
VD 19/32	19,0 mm	224 mm	32 mm	610035



Jets jacked in blue Polyurethane

Type	Bore	Length	Jet Exit	Art. No.
VD 8/32	8,0 mm	154 mm	32 mm	610157
VD 9,5/32	9,5 mm	177 mm	32 mm	610158
VD 11/32	11,0 mm	207 mm	32 mm	610159
VD 12,5/32	12,5 mm	233 mm	32 mm	610160



Push-On Jets with Conical Bore EVD (Venturi Principle)

Type	Bore	Hose Width	Art. No.
EVD 8/25	8,0 mm	25 x 7 mm	610078
EVD 10/25	10,0 mm	25 x 7 mm	610079
EVD 12,5/25	12,5 mm	25 x 7 mm	610099
EVD 8/32	8,0 mm	32 x 8 mm	610080
EVD 10/32	10,0 mm	32 x 8 mm	610081
EVD 12,5/32	12,5 mm	32 x 8 mm	610082
EVD 16/32	16,0 mm	32 x 8 mm	610083



Boron Carbide Venturi Valves ■■■

Boron Carbide Venturi Nozzles

Venturi Blasting Nozzle with 50 mm Rough Pitch Thread

Type	Bore	Length	Intake Size	Art. No.
BC-VD 8/ 32	8,0 mm	165 mm	32 mm	610174
BC-VD 10/ 32	10,0 mm	165 mm	32 mm	610175
BC-VD 11/ 32	11,0 mm	165 mm	32 mm	610179
BC-VD 12/ 32	12,0 mm	165 mm	32 mm	610178



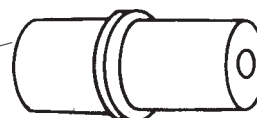
Venturi Hose Push-On Nozzle Clad in Aluminium

Type	Bore	Length	Inside Size	Art. No.
BC-EVD 25/ 8	8,0 mm	100 mm	25 mm	610170
BC-EVD 25/ 10	10,0 mm	100 mm	25 mm	610171
BC-EVD 25/ 12,5	12,5 mm	100 mm	25 mm	610099
BC-EVD 32/ 8	8,0 mm	110 mm	32 mm	610172
BC-EVD 32/ 10	10,0 mm	110 mm	32 mm	610173
BC-EVD 32/12,5	12,5 mm	110 mm	32 mm	610082



Tetra Boron Nozzles

Type	Art.No.	Pre-Fitting Jet	VS	Art. No.
8N	610177	Pre-Fitting Jet	VS 8	610084
10N	610176	Pre-Fitting Jet	VS 10	10835



Pipe Interior Blasting Nozzles,

Material: Tungsten Carbide

Type	Pipe Diameter	Art. No.
RD R 1/4"	45-140 mm	610188
RD R 1/2"	45-140 mm	610092
RD R 3/4"	140-400 mm	610185
RD R 1"	140-400 mm	610094
Diverting Cone:	1/4"	14206
	1/2"	20269
	3/4"	20432
	1"	610162

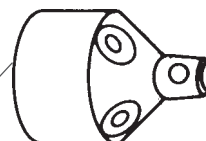


Material: Boron Carbide

Type	Pipe Diameter	Art. No.
RDI R 1 1/4"	80-500 mm	610095
spare diversion cone:	1 1/4"	610183

Blasting Head R 1"

with 4 apertures, each with 8 mm bore



Angled nozzles WD, Material Boron carbide

Type	Bore Diameter	Art.-No.
WD 8/ 20	8,0 mm	610085
WD 10/20	10,0 mm	610086
pre-fitting cone for angled jet WD	8/ 20	610084
	10/ 20	10835



Arched Nozzles, Material Boron Carbide

BD 8/ 40	8,0 mm	610087
BD 10/ 40	10,0 mm	610088
separator 3/4" for angled nozzle WD 8/ 40 und 10/ 40		10994
VK 40		



Nozzle Holder for Tetra-Boron and Angled Jet

Type	Hose Width	Art. No.
DH 25	25 x 7 mm	610090
DH 32	32 x 8 mm	610091

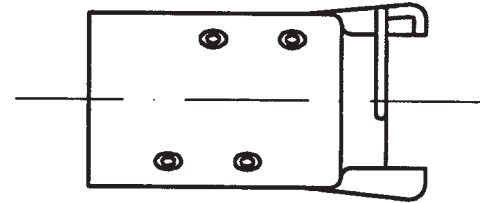


— Connectors, Gaskets, Nozzle Holders, Screws, Split Pins

Description **Art. No.**

Hose Connectors / Tempered steel

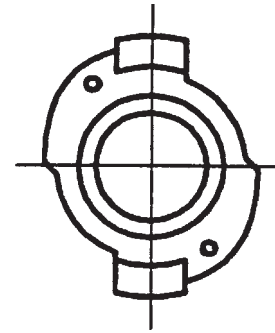
HKT 25 x 7 for blasting hose 25 x 7	610028
HKT 32 x 8 for blasting hose 32 x 8	610004
HKT 42 x 9 for blasting hose 42 x 9	610005



Hose Connector HKT

Screw Connectors / Tempered Steel

HKT/F 1 1/4" thread	610007
HKT/F 1 1/2" thread	610027



Nozzle Holder / Tempered Steel

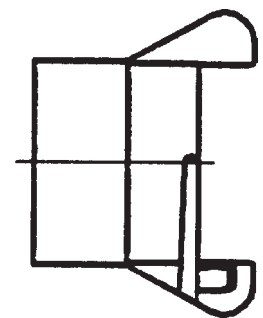
HKT/G rough pitch thread	610009
--------------------------	--------

Gaskets for Above Connectors

HKD	610010
-----	--------

Nozzle Holders / Nylon

HKN/G rough pitched thread for blasting hose 25 x 7	610074
HKN/G rough pitched thread for blasting hose 32 x 8	610075



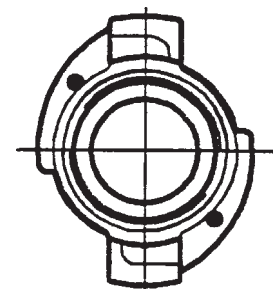
Screw Connector HKT/F

Gaskets for Nozzle Holder HKN/G

HKD 25/32	610182
-----------	--------

Screws / Split Pins for Above Connectors

HKS	610011
screws for connector HKT 42 x 9	610042
split pins for above connector	681438



Description:	Art. No.
Blasting Hose	
Type KIESS-Blaster, highly resistant to frictional wear, length from roll 40 m	
Dimensions:	
13 x 7 mm	620001
19 x 7 mm	620000
25 x 7 mm	620079
32 x 8 mm	620080
42 x 9 mm	620094
Special quality for particularly sharp, hard medium (corundum, glass)	
Dimensions	
25 x 7 mm	620076
32 x 8 mm	620114
42 x 9 mm	620070
Air Hose	
Dimensions:	
6 x 5 mm, blue	620009
9 x 3.5 mm, red	620010
19 x 6 mm	620011
25 x 7 mm	620012
53 x 10 mm	620013
PVC Plastic Hose	
with textile lining, length from roll 50 m	
Dimensions:	
6 x 3 mm	620016
9 x 3 mm	620017
13 x 3.5 mm	620018
Air Hose	
Quality for consumable goods	
dimensions:	
10 x 3 mm	620015
Blasting Medium Feed Hose	
specially for vacuum suction with spiral, natural rubber lining, length from roll 20 m	
dimensions:	
80 x 11 mm	620025
100 x 12 mm	620024
127 x 8 mm	620062
150 x 13 mm	620023
specially for vacuum suction with spiral, material polyurethane , heavy duty	
dimensions, nominal value:	
100 mm	20136
125 mm	19952
150 mm	13969
for vacuum suction with spiral, material PVC	
dimensions, nominal value	
50 mm	620077
75 mm	12131

Special Spiral Stretch Hoses

Description:	Art. No.:
spiral hose with ring spacing 30 mm standard length 5 m	
Dimensions nom. val.	
200 mm	15118
250 mm	620037
300 mm	620038
350 mm	620039
400 mm	620040
450 mm	620041
500 mm	620042
spiral hose with ring spacing 75 mm standard length 5 m	
Dimensions nom. val.	
200 mm	620084
300 mm	620086
350 mm	620087
400 mm	620088
450 mm	620089
500 mm	620090
spiral hose with ring spacing 150 mm standard length 5 m	
Dimensions nom. val.	
250 mm	620045
300 mm	620046
350 mm	620047
400 mm	620048
450 mm	620049
500 mm	620050
Connector Clips with snap fasteners	
Dimensions nom. val.	
200 mm	620099
250 mm	620053
300 mm	620054
350 mm	620055
400 mm	620056
450 mm	620057
500 mm	620058
twin pipe branch n.v. DN 500/2 x DN 400	620026

Blasting Suits

Blasting Suit

Made from air permeable, rough textile,
all surfaces facing the blasting target and liable to wear are
covered with wear resistant, grained chrome leather;

Model with Velcro® fastener

	Art. No.		Art. No.
size 48	640197	size 50	19810
size 50	640097	size 52	20501
size 52	640098	size 54	18722
size 54	640099	size 56	11034
size 56	640100	size 58	11035
size 58	640190		
size 60	11500		
size 62	16530		
size 64	11488		



Blasting trousers separate

	Art.-Nr.:
size 48	20289
size 50	13111
size 52	17168
size 54	16313
size 56	11032
size 58	19809
size 60	20891
size 62	21148
size 64	20716

Blasting jacket separate

	Art.-Nr.:
size 50	13110
size 52	19710
size 54	19123
size 56	12970
size 58	11033
size 60	21147
size 62	22270
size 64	20715

Safety Equipment KIESS

_____ **Blasting Gloves, Blasting Lamp, Transformers** ■ ■ ■

Description: Art. No.

Blasting gloves 640116

5 fingers, with reinforcement for the thumb, palm in chrome grained leather, back and cuff in chrome chink leather.

Blasting Lamp

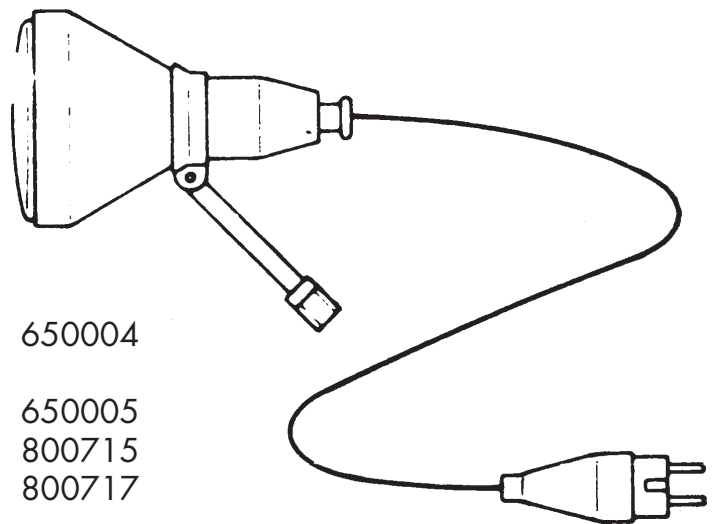
lamp, rubber (without bulb) 650004

spot bulb, 24V, 120W 650005

plug, 2-pole 24V, 120W 800715

connector, 2-pole 800717

blasting lamp, metal (with bulb) 650000



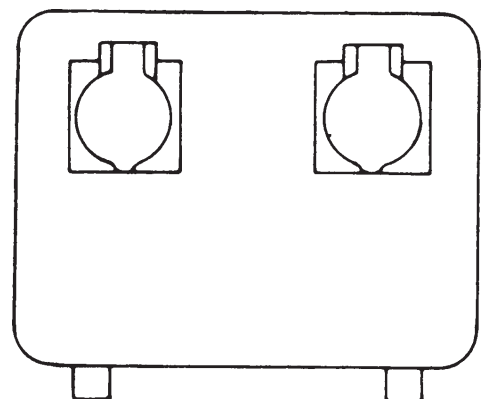
Transformer for Blasting Lamps

transformer 230/24V,50 Hz with 1 socket 20173

transformer 230/24V,50 Hz with 2 sockets 650001

transformer 230/24V,50 Hz with 3 sockets 650002

transformer 230/24V,50 Hz with 4 sockets 650003



Protective Headgear

Description:**Art. No.:****Headgear with Screw Filter**

5001 MF

640003

front made of double layered rubber material,
back made of canvas, with large,
rectangular window 108 x 145 mm,
clear glass;

Spare parts:

bellows filter for fine dust	640007
fibre pre-filter (20 pcs. + 4 textile sieve discs)	640008
fibre pre-filter (100 pcs.)	640009
glass window for 5001 MF	640011

**Description:****Art. No.:****Fresh Air Headgear with Valve Regulator**

500 P

640022

Front of double layer rubber material, back of canvass,
reaching over the shoulders, sideways opening window
with glass and Cellon safety pane, head holder adjustable
via rubber band, tightly closing collar, small rain valve
(attached to the rear of the hood)

smooth leather belt	640028
---------------------	--------

Spare Parts:

glass window 138 x 102 x 2 mm	640023
Cellon safety pane 138 x 108 x 2	640024
small rain valve	640025
Vyon silencer	11504
collar	12530



_____ **Blasting Helmet, Air Conditioning Unit** ■ ■ ■

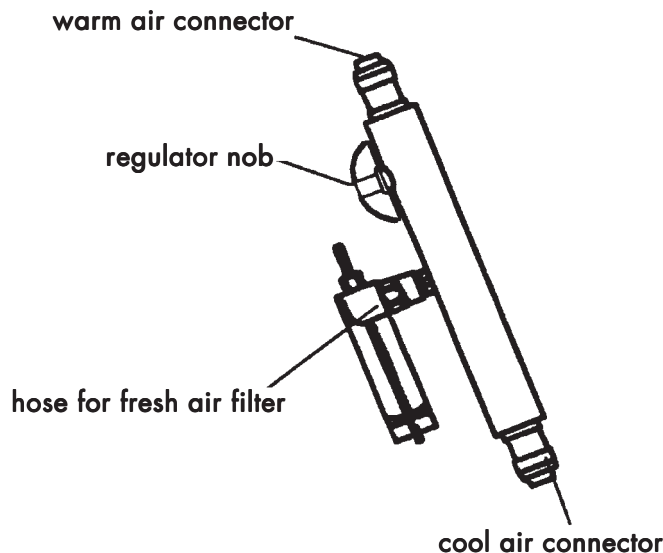
Operator Protection Equipment

Description:	Art. No.:
blasting helmet 5510	640199
sleeveless jacket, front double layer rubber, back of canvass, fresh air feed pipe with connectors;	640194
leather jacket with sleeves	640195
Extras:	
rain valve with valve holder and pipe connector and belt	640061
protective cover for helmet	640062
equipment for automatically closing compressed air connector AK1, stainless steel	640063
do. but with security	640064
compressed air hose with connectors	640198
silencer for valve regulator	640067
Spare Parts:	
Cellon plastic panes (packet of 50 pcs.)	640058



Air Conditioning Unit 19197

This unit can regulate the ambient breathing air to about 20°C and thus provide the operator with comfortable conditions.



Blasting Helmets Commander II ■■■

Description	Art. No.
Blasting Helmet Commander II	
Compl. with leather jacket	20615
Compl. with plastic jacket	20616



The blasting helmet replaces the tried and tested model ZGH. When designing the helmet attention was paid to an even better distribution of weight so that the risk of slipping has been further minimised. All positive features of the ZGH-helmet have been adopted. Thus, all essential spare parts of Commander II correspond to those of the blasting helmet ZGH.

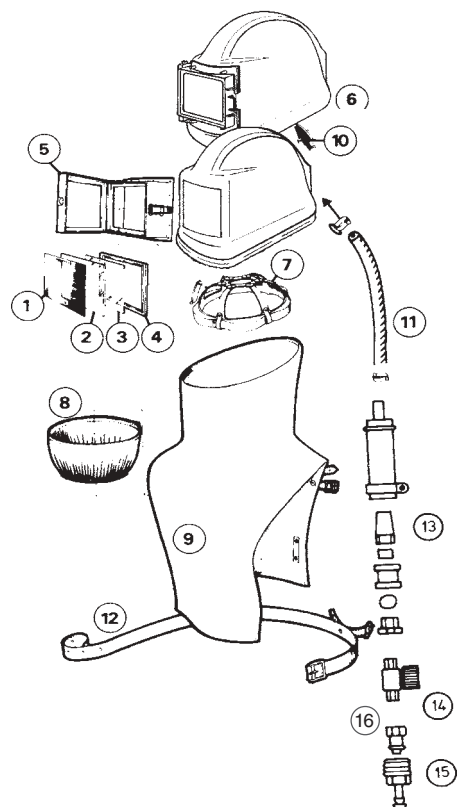
Only the following items have been changed:

Item no.	Description	Art. No.
5	window frame attachment	20611
6	rubber cover	20612
10	pipe connector	20613
11	fresh air feed pipe	20614

Description Art. No.

Spare parts Commander II

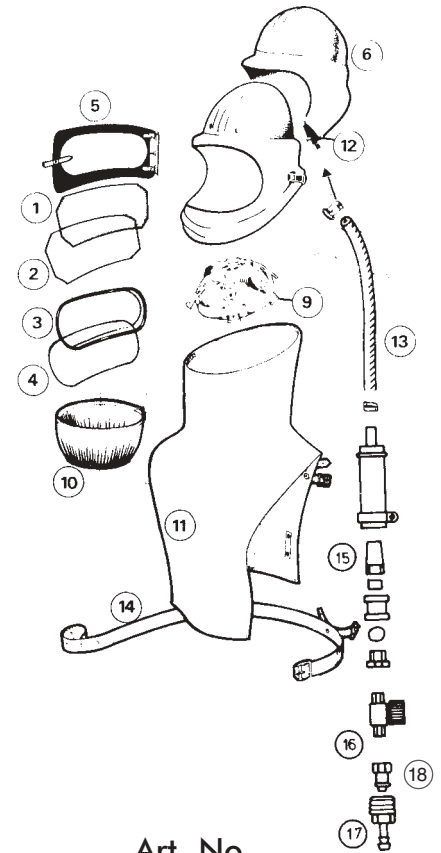
Item no.	Description	Art. No.
1	wire riddle 110 x 165 mm	640103
2	glass window 110 x 165 x 3 mm	640104
3	Acrylate window 102 x 156 x 2 mm	640105
4	rubber window seal	640106
5	window frame attachment	20611
6	rubber cover	20612
7	adjustable head strap	640109
8	collar (with Velcro fastener)	640182
8	collar (with zip)	640110
9	sleeveless leather jacket (with clip, without belt)	640111
9	sleeveless leather jacket (with rubber, without belt)	15804
9	plastic jacket	640193
10	connector R 1/2"	20613
11	fresh air feed pipe 22 mm	20614
12	belt	640028
13	sound absorber	640114
14	valve regulator	640115
15	connector	11872
16	push-on nipple	15168



Blasting Helmet Panorama ■■■

Blasting helmet Panorama
with leather jacket
with plastic jacket

640117
640134



Description

Art. No.

Spare parts helmet Panorama
Description

Item no.
Art. No.

1	wire riddle 345 x 125 mm	640118
2	Cellon pane 343 x 130 x 0.175 mm	640119
3	rubber window seal	640120
4	protective pane 300 x 120 x 1 mm	640121
5	window frame	640122
6	rubber cover	640123
9	adjustable head strap	640126
10	collar (with Velcro fastener)	640182
10	collar (with zip)	640110
11	sleeveless leather jacket (with clip,without belt)	640111
11	sleeveless leather jacket (with rubber,without belt)	15804
11	plastic jacket	640193
12	connector R 1/2"	640112
13	fresh air feed pipe 16 mm	640113
14	belt	640028
15	sound absorber	640114
16	valve regulator	640115
17	connector	11872
18	push-on nipple	15168

Paint Spraying Masks ■ ■ ■

Description Art. No.

Paint spraying headgear with masks and fresh air feed

Type Junior including rain valve 640127

Spare Parts:

one-way hood (pack of 5 pcs.) 640131

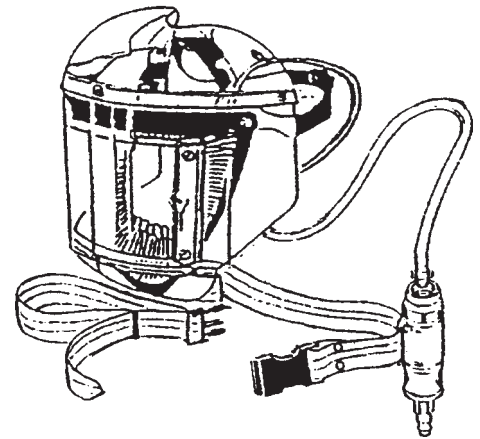
Cellon pane 110 x 310 x 0.1 mm 640132

belt 640028

silencer 640114

rain valve 640115

connector 11872



Fresh air unit 4000 P 640015

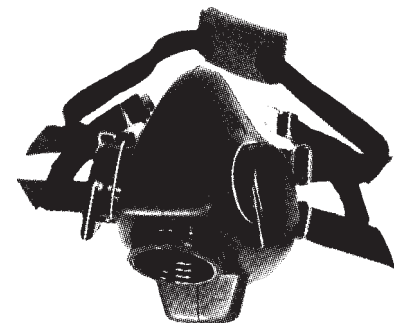
with short bellows hose, 7 folds with screw connector with roller drum at one end and vacuum pipe at the other, compressed air valve with automatic compressed air connector AK 1 with safety valve and belt of smooth leather; suitable for use combined with mask:

- 5001 MF
- Colonia 610
- BRK 820



Half Mask Colonia 610 640016

of perbutane, with 2 exhaust breath valves and carrying strap



Full Mask BRK 820 640019

acrylic transparent window 640013

window of laminated safety glass 640014

gas filte A2 640156

outside pane (removable) 640164



Active Carbon Filter ■ ■ ■

Description:

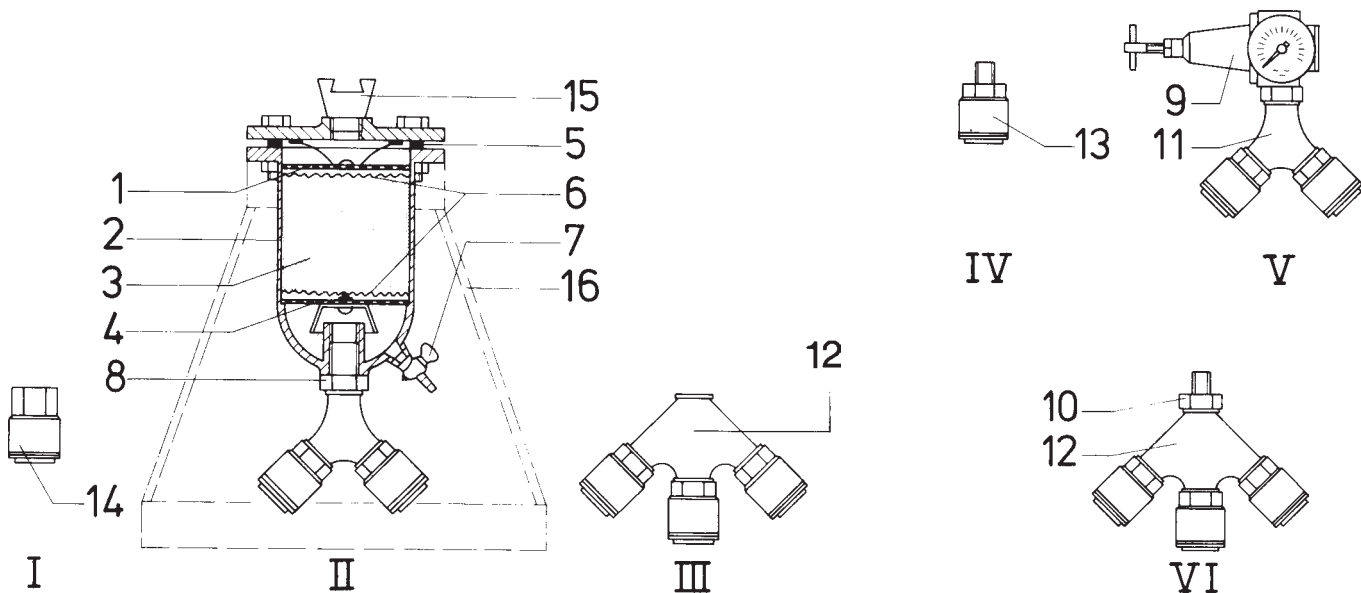
Art. No.:

active carbon filter

SH 5502/I, with 1 connector	640029
SH 5502/II, with 2 connectors	640030
SH 5502/III, with 3 connectors	640031
SH 5502/IV with reducer and 1 connector	640032
SH 5502/V with reducer and 2 connectors	640033
SH 5502/VI with reducer and 3 connectors	640034

Spare Parts for Active Carbon Filter

Pos. No.	Description	Art. No.
1	upper sieve disc with spring	680464
2	cast iron pressure housing with cover and screws	680465
3	active carbon filling	680466
4	bottom sieve disc	680467
5	rubber gasket	680468
6	suspended particle separator	680469
7	water bleed tap	680470
8	reduction double nipple	680471
9	reducer with manometer 0-16 bar	800238
10	double nipple	800447
11	manifold	800365
12	manifold	800396
13	connector	800375
14	connector	800378
15	connector	800057
16	stand	680478

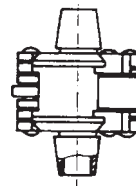


Compressed Air Accessories

Description Art. No.

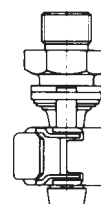
Quick action connectors for hoses of the same diameter

Type			
S 6-16			800151
S 9-16			801152
S 19-6			800175
S 25-7			800177
N 3248 St			800179



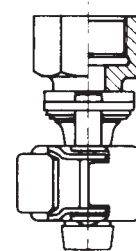
Connectors with external thread

Type			
KA 9-16 AS	R 1/4"		800157
KA 1931 St	R 3/4"		800166
KAS 5373 St	R 2"		800171



Connectors with internal thread

Type			
KI 6-16 A	R 1/4"		800153
KI 9-16 BS	R 3/8"		800154
KI 9-16 AS	R 1/4"		800155
KI 2539 R St	R 1"		800199
KI 3248 St	R 1"		800201
KI 3248 R St	R 1 1/4"		800202
KI 4260 St	R 1 1/2"		800206



St = steel

Claw connectors

Hose claw connectors

Type	hose connection		
SKG 10	LW 10		800033
SKG 13	LW 13		800034
SKG 15	LW 15		800035
SKG 19	LW 19		800036
SKG 25	LW 25		800037
SKG 32	LW 32		800038



Claw connectors with internal thread

Type			
KIG 14	R 1/4"		800042
KIG 38	R 3/8"		800043
KIG 12	R 1/2"		800044
KIG 34	R 3/4"		800045
KIG 10	R 1"		800046
KIG 54	R 1 1/4"		800048



Claw connectors with external thread

Typ			
KAG 14	R 1/4"		800052
KAG 38	R 3/8"		800053
KAG 12	R 1/2"		800054
KAG 34	R 3/4"		800057
KAG 10	R 1"		800055

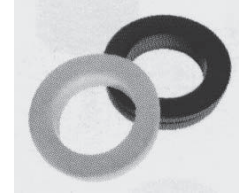


Compressed Air Accessories

Description: Art. No.:

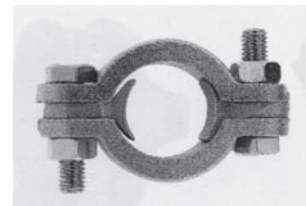
Gaskets for connectors

Type	
GOOR	800068



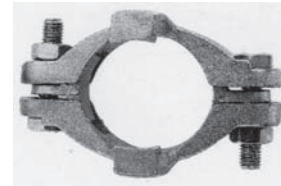
Hose connectors loose tongueZungen

Type		
SL 29		800075
SL 34		800076
SL 40		800077
SL 49		800078
SL 60		800079
SL 76		800080
SL 94		19055
SL 115		19056
SL 145		19057



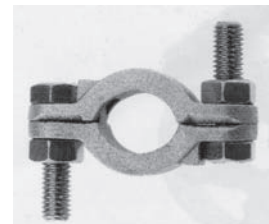
Hose connectors with safety claw

Type		
SK 34		16267
SK 51		800087
SK 60		800088
SK 73		800089



Hose connectors with solid tongue

Type		
S 22		800073
S 34		800074



Jubilee Clips

Type	Adjustment Range	
HS 20	12 - 20 mm	800090
HS 25	16 - 25 mm	800091
HS 32	20 - 32 mm	800092
HS 40	25 - 40 mm	800093
HS 50	32 - 50 mm	800094
HS 60	40 - 60 mm	800095
HS 70	50 - 70 mm	800096
HS 80	60 - 80 mm	800097
HS 90	70 - 90 mm	800098
HS 100	80 - 100 mm	800099
HS 120	100 - 120 mm	800100
HS 150	130 - 150 mm	800101



Compressed Air Accessories

Description: Art. No.:

Filters

- 3/8" 800217
- 1/2" 800218
- 1" 800220



Spray oilers

- 3/8" 800231
- 1/2" 800232



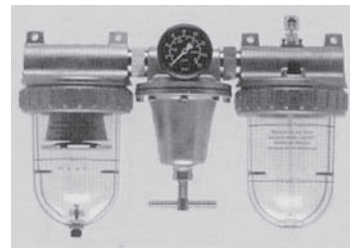
Pressure regulators

- 3/8" 800238
- 1/2" 800239
- 1" 801506
- 1 1/4" 801526
- 2" 801541



Maintenance Unit, 3-piece

- 1" 801577

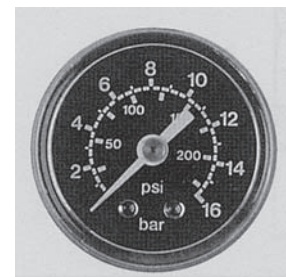


Manometer, horizontal

- ø 63, 1/4" 0-6/ 10 bar 800242
- 0-10/ 16 bar 800243

Manometer, vertical

- ø 63 1/4" 0-6/ 10 bar 800244
- ø 100 1/2" 0-10 bar 800246
- 0-16 bar 800247

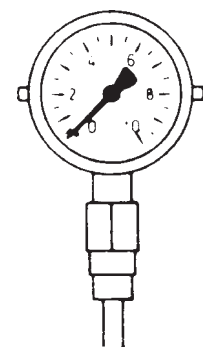


Safety valves pre-set to operating pressure. supplied in the following sizes:

- R 1/2 800117
- R 3/4 800118
- R 1 800119
- R 1 1/4 800120
- R 1 1/2 800121

Needle manometer 610057

Spare needle for manometer 610058

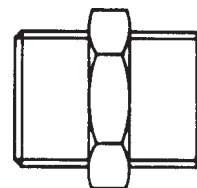


Compressed Air Accessories

Description: Art. No.:

Double nipples with cone

1/8 x 1/8	800445
1/4 x 1/4	800446
3/8 x 3/8	800447
1/2 x 1/2	800448

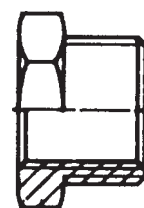


Double nipples with cone

1/8 x 1/4	800449
1/4 x 3/8	800450
3/8 x 1/2	800451

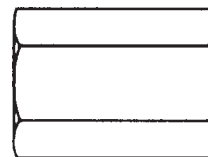
Reducing nipples with internal and external threads

1/4 x 1/8	800453
3/8 x 1/4	800455
1/2 x 3/8	800456
3/4 x 1/2	800457
1 x 3/4	800458



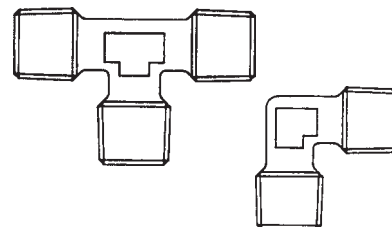
Spanner sleeves

1/8	800459
1/4	800460
3/8	800461
1/2	800462



Pipe T-Fitting with cone

1/4	800464
3/8	800465



Elbow with cone

1/4	800466
-----	--------

Manifold, 2-way

3 x 3/8	800469
---------	--------

Manifold, 3-way

4 x 3/8	800471
---------	--------



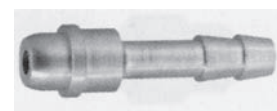
Hexagonal top nut

1/4	800473
-----	--------



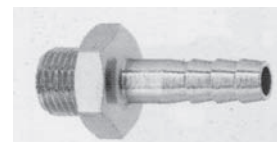
Hose tulls

LW 6 1/4	800485
LW 9 1/4	800487



Hose screw fittings

DN 6 1/8	800494
DN 6 1/4	800496
DN 9 1/4	800497
DN 6 3/8	800498
DN 9 3/8	800499
DN 13 3/8	800500
DN 13 DN 1/2	800501



Compressed Air Accessories

Description: Art. No.:

Hand-Fitted Connectors, Brass 1-15 bar

Connectors with external thread

1/4 a	800374
3/8 a	800375
1/2 a	800376



Connectors with internal thread

1/4 i	800377
3/8 i	800378
1/2 i	800379



Connectors with hose fitting

LW 6	800380
LW 9	800381
LW 13	800382



Push-on nozzles

LW 6	800383
LW 9	00384
LW 13	800385



Push-on nipples with external thread

1/4 a	800386
3/8 a	800387
1/2 a	800388



Push-on nozzles with internal thread

1/4 i	800389
3/8 i	800390
1/2 i	800391



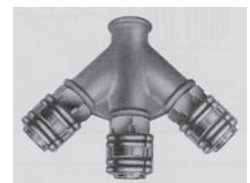
Manifold, 2-wayV

3/8 i	800395
-------	--------



Manifold, 3-way

3/8 i	800396
-------	--------

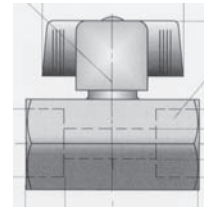


Compressed Air Accessories

Description: Art. No.:

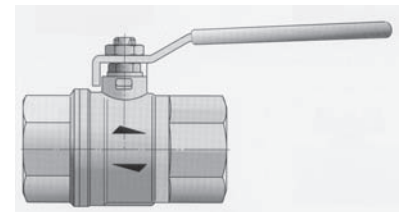
Toggle tap

1/4"	800001
3/8"	800002
1/2"	800003
3/4"	800004



Handle tap type 33

1/2"	680535
3/4"	680542
1"	680359
1 1/4"	680011
1 1/2"	680012
2"	680385



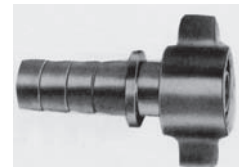
Double tap

DHG 34	800019
DHG 10	800022



Screw fitting with conical nozzle and lock

75/ 53 S	800139
----------	--------



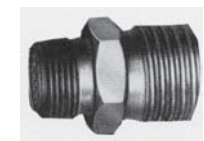
Hose connecting nipple

75 x 1/6"	800148
-----------	--------



Connector nipple

1 1/2" x 62x1/6"	800114
2" x 75x1/6"	800115



Screw nozzle with locking ring

1 1/4" x 32 mm	680433
1 1/2" x 42 mm	680434
1 1/4" x 42 mm	680428

Nozzle with external thread and safety lock

1" LW 19 mm	10295
1" LW 25 mm	800123



Nozzle without safety lock

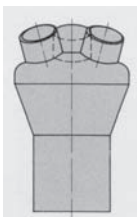
19 mm G 1219 T	800505
25 mm G 3425 T	800506



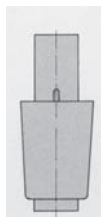
Vacuum Cleaners **KIESS**

Vacuum Cleaner Accessories

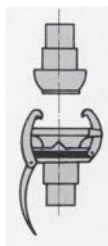
Description:	Art. No.:
Nom. val. 80 jubilee clip 80-100	800099
jubilee clip 98-100	800620
hose connector	630007
suction head	630001
Nom val. 100 jubilee clip 104-112	800619
jubilee clip 112-130	800627
connector M-piece	630067
connector V-piece	630066
hose connector	630008
suction head	630002
Nom. val. 125 jubilee clip 131-139	800623
jubilee clip 149-161	800625
connector M-piece	630069
connector V-piece	630068
hose connector	630009
suction head	630058
Nom. val. 150 jubilee clip 162-174	16299
jubilee clip 175-187	800622
connector M-piece	630039
connector V-piece	630040
hose connector	630010
suction head	630003
floor cleaning head nom. val. 50 (no. 2)	630060
hose manifold n.v. 125/6 x n.v. 50	10332
hose manifold n.v. 150/6 x n.v. 50	630036
hose reducing connector n.v. 125/n.v.100	630026
hose reducing connector n.v. 150/n.v.125	630028
hose reducing connector n.v. 150/n.v.100	630027



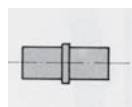
Hose Manifold



Suction Head



M-and V-Connector Piece



Hose Connector



Floor Cleaning Head

Fans and Dust Bags ■ ■ ■

Fans

for suction removal of dusty air, equipped with:

- Basic frames, suction and pressure with connector for suction/pressure hose and dust bag;
- built-in switch box;
- on-off switch;
- emergency cut-off switch

Fan

Description	Flow	Total Pressure	Hose Connector	Electric Motor	Art No.
DV 3500/ 350/ 5,5E	3500m ³ /h	350 daPa	DN 250 mm	400V, 50HZ, 5,5 kW	65001
DV 5000/ 350 7,5 E	5000 m ³ /h	350 daPa	DN 300 mm	400 V, 50 Hz, 7,5 W	650012
DV 10000/ 350/ 15 E	10000 m ³	350 daPa	DN 400 mm	400 V, 50 Hz, 15 kW	650013
DV 15000/ 350/ 18,5 E	15000 m ³ /h	350 daPa	DN 400 mm	400 V, 50 HZ, 18,5 kW	650014
DV 20000/ 350/ 37 E	20000 m ³ /h	350 daPa	DN 500 mm	400 V, 50 Hz 37 kW	650015

More models and explosion-protected fans for suction removal of paint spray on request

Dust bags for the above fans

Description:	Art.-No.:
NW 250, 250 x 1500 x 2500 mm	650006
NW 300, 300 x 1500 x 2500 mm	650016
NW 350, 350 x 1500 x 2500 mm	650008
NW 400, 400 x 1500 x 2500 mm	650010
NW 500, 500 x 1500 x 2500 mm	650018
NW 700, 700 x 1500 x 2500 mm	650017

Pressure and suction stretch hoses and connector clips see stretch hoses

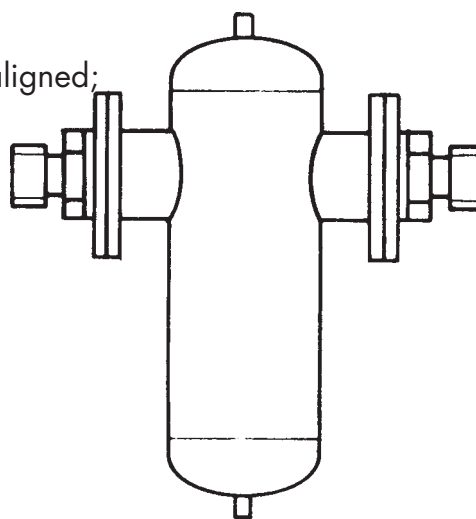


Separators – Aftercoolers ■ ■ ■

Cyclone Separators

Description:	SN-5	SN-7	SN-11	SN-21
Performance	5 m ³ /min	7 m ³ /min	11 m ³ /min	21 m ³ /min
Operating pressure	16 bar	16 bar	16 bar	16 bar
Air connectors	n.v. 50	n.v. 65	n.w. 80	n.w. 100
Art. No.	410200	410300	410400	410500

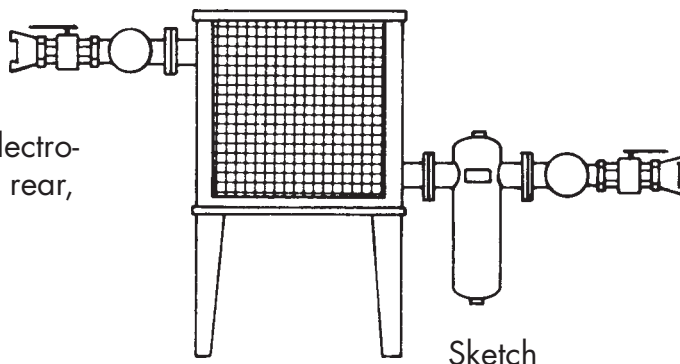
- Larger models on request
- Steel housings and connectors
- All cyclone separators are horizontally aligned;
- vertical alignment on request.



Air Cooled Aftercooler in Scaffolding

Description	TD-150	TD-300
Performance	12 m ³ /min	20 m ³ /min
Operating pressure at max 130°	12 bar	12 bar
Pressure loss	approx. 190 mbar	approx. 140 mbar
Cool air flow	73.8 m ³ /min	99 m ³ /min
Motor nominal performance	0.75 kW	0.75 kW
Compressed air connector	G 2"	G 2"
Dimensions	1310x710x1260 mm	2200x1000x1350 mm
Weight	approx. 115 kg	approx. 350 kg
Art. No.	10648	12147

- Larger models on request
- The coolers include ventilator and electro-motor, with protective grill front and rear, cyclone separator.



WIWA Airless Unit

Description:

Art. No.:

Type Magnum 153.64 R/F

784595

stainless steel, on trolley

Specification:

pressure ratio:

64:1

supply per double stroke:

153 cm³

max. air input pressure:

6.5 bar

max. operating pressure:

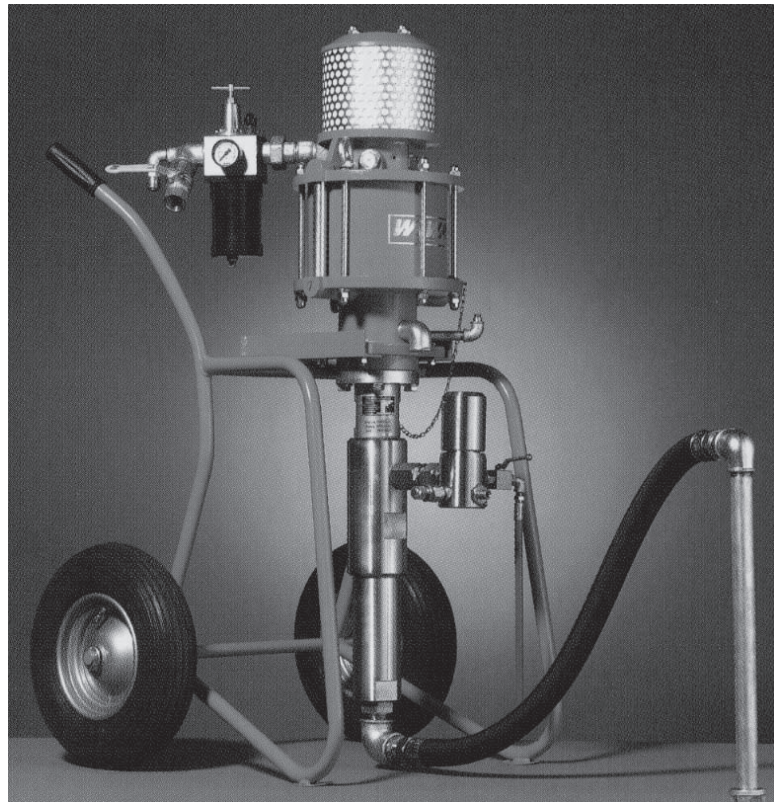
429 bar

material outlet:

1 x 3/8" / 1 x 1/4"

air intake:

3/4"



Standard Equipment:

- high pressure pump
- high pressure filter with standard sieve M70, relief valve
- maintenance unit
- safety valve
- suction pipe nom. val. 25 with suction sieve M20/ 140
- rinsing liquid 0.5 l
- operating instructions
- spare parts list

other models on request

Accessories Airless Unit

Description:	Art. No.:
Airless Pistols and Accessories	
WIWA paint spray pistol type 250, up to 300 bar	710001
WIWA paint spray pistol type 250, up to 300 bar with swivel	710002
WIWA paint spray pistol type 500, up to 500 bar	710003
WIWA paint spray pistol type 500, up to 500 bar with swivel	710004
WIWA paint spray pistol type 500 f, up to 500 bar with front connection	710005
WIWA paint spray pistol type 500 HS, up to 500 bar for hot spraying	710006
Wagner paint spray pistol G-10-1 up to 250 bar with swivel	710009
Swivels	
swivel for WIWA 250 and 500 1/4"	710013
swivel for WIWA 250 and 500 3/8"	710014
swivel for pistol G-10-1, 1/4 x 18 NPS 1/4" / M14	710012
straight swivels 1/4", fitting all pistols and screw connections 1/4"	710020
straight swivels 3/8", fitting all pistols and screw connections 3/8"	710020
Paint Flow Heating Element	
without accessories 400V, 50 Hz, 3.4 kW	710025
Roto-Clean Rotary Switch	
201-100 thread 11/16 x 16	710026
Reversible Jets	
spray angle and diameter as required	715
Airless Paint Spray Hose with Copper Conductor	
Type 200 CF, max. operating pressure 370 bar with treble safety feature	
1/8" int. dia. 7.5 m covered	710030
1/4" int. dia with sealed connectors at each end	710055
Type 1006 K, max. operating pressure 410 bar with treble safety feature	
1/4" int. dia. 7.5 m covered	710033
1/4" int. dia. 10 m covered	710034
1/4" int. dia. 15 m covered	710035
1/4" int. dia. 20 m covered	710036
Type 2010StF max. operating pressure 500 bar with treble safety feature	
3/8" int. dia. 7.5 m covered	710037
3/8" int. dia. 10 m covered	710038
3/8" int. dia. 15 m covered	710133
3/8" int. dia. 20 m covered	710039
Type 9984410 NW 6, max. 250 bar, 10 m covered	710040
connector nipple, steel R 1/4"	710042
connector nipple, steel R 3/8"	710043
connector nipple, steel R 3/8"	710044
connector nipple, steel R 1/4"	710045

More accessories on request

For Various Materials ■ ■ ■

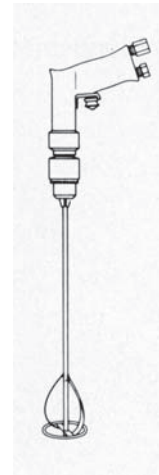
Description:

Art. No.:

for light and medium light materials

paint mixers 212/600/120
with mixing shaft 600 m long, mixing head,
with fitting for drill 13 mm and stageless
rev control up to 600 rpm

740002



for heavy materials

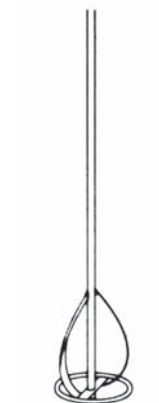
paint mixers LBB 45 H 004/600/135
with mixing shaft 600 m long, mixing head,
with fitting for drill 16 mm and stageless
rev control up to 400 rpm

740003

mixing heads for light, medium heavy and heavy materials

Ronden mixer DV 120
dia. 120 mm
length 600 mm
12 mm fitting for drill

740010



Spiral Head Mixer DV 140
dia. 140 mm
length 600 mm
13 mm chuck for drill

740012

